

REGOLATORI DI PORTATA ORIENTABILI

ORIENTING FLOW REGULATOR
DURCHFLUSSREGLER (DREHBAR)
RÉGLEURS DE DÉBIT ORIENTABLES
REGULADORES DE CAUDAL ORIENTABLES
REGULADORAS DE VAZÃO ORIENTÁVEL



CARATTERISTICHE TECNICHE

TECHNICAL CHARACTERISTICS
TECHNISCHE ANGABEN
CARACTÉRISTIQUES TECHNIQUES
CARACTERÍSTICAS TÉCNICAS
CARACTERÍSTICAS TÉCNICAS



Norma di Riferimento

Reference Standard

Entspricht Der Norm

Conforme à La Norme

Normativa de Referencia

Norma de Referência

1907/2006

REACH

2011/65/CE

RoHS

PED

2014/68/UE

SILICON

FREE



Pressioni

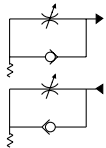
Pressures

Druckbereich

Pressions

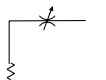
Presiones

Pressões



1 bar (0.1 MPa)

10 bar (1 MPa)



0.1 bar (0.01 MPa)

10 bar (1 MPa)



Temperature

Temperatures

Temperatur

Températures

Temperaturas

Temperaturas

- 20 °C

+ 80 °C



Fluidi compatibili

Aria compressa

Fluids

Compressed air

Geeignete Medien

Druckluft

Fluides compatibles

Air comprimé

Fluidos compatibles

Aire comprimido

Fluidos compatíveis

Ar comprimido

Tubi di Collegamento

IT

Tubi in materiale plastico:

PA6, PA11, PA12, Polietilene, *Poliuretano, PTFE, FEP.

*Per tubi in Poliuretano è consigliata una durezza di 98 shore.

Connection Tubes

GB

Plastic tubes:

PA6, PA11, PA12, Polyethylene, *Polyurethane, PTFE, FEP.

*For Polyurethane hoses it is required a minimum hardness of 98 shore.

Geeignete Rohre

DE

Kunststoffrohre:

PA6, PA11, PA 12, Polyethylene, *Polyurethan, PTFE, FEP.

*Für Polyurethan Rohre ist eine Härte von 98 Shore empfohlen.

Tubes Conseillés

FR

Tubes plastiques:

PA6, PA11, PA12, Polyéthylène, *Polyuréthane, PTFE, FEP.

*Pour les tubes en polyuréthane, il est conseillé une dureté de 98 Shore.

Tubos de Conexión

ES

Tubos en material plástico:

PA6, PA11, PA 12, Polietileno, *Poliuretano, PTFE, FEP.

*Para tubos en poliuretano es aconsejada una dureza de 98 shore.

Tubos de Conexão

PT

Tubos em material plástico:

PA6, PA11, PA12, Polietileno, *Poliuretano, PTFE, FEP.

*Para tubos em Poliuretano é requerida uma dureza de 98 shore.

Архангельск (8182)63-90-72
Астана (7172)727-132
Астрахань (8512)99-46-04
Барнаул (3852)73-04-60
Белгород (4722)40-23-64
Брянск (4832)59-03-52
Владивосток (423)249-28-31
Волгоград (844)278-03-48
Вологда (8172)26-41-59
Воронеж (473)204-51-73
Екатеринбург (343)384-55-89
Иваново (4932)77-34-06

Ижевск (3412)26-03-58
Иркутск (395)279-98-46
Казань (843)206-01-48
Калининград (4012)72-03-81
Калуга (4842)92-23-67
Кемерово (3842)65-04-62
Киров (8332)68-02-04
Краснодар (861)203-40-90
Красноярск (391)204-63-61
Курск (4712)77-13-04
Липецк (4742)52-20-81
Киргизия (996)312-96-26-47

Магнитогорск (3519)55-03-13
Москва (495)268-04-70
Мурманск (8152)59-64-93
Набережные Челны (8552)20-53-41
Нижний Новгород (831)429-08-12
Новокузнецк (3843)20-46-81
Новосибирск (383)227-86-73
Омск (3812)21-46-40
Орел (4862)44-53-42
Оренбург (3532)37-68-04
Пенза (8412)22-31-16
Казахстан (772)734-952-31

Пермь (342)205-81-47
Ростов-на-Дону (863)308-18-15
Рязань (4912)46-61-64
Самара (846)206-03-16
Санкт-Петербург (812)309-46-40
Саратов (845)249-38-78
Севастополь (8692)22-31-93
Симферополь (3652)67-13-56
Смоленск (4812)29-41-54
Сочи (862)225-72-31
Ставрополь (8652)20-65-13
Таджикистан (992)427-82-92-69

Сургут (3462)77-98-35
Тверь (4822)63-31-35
Томск (3822)98-41-53
Тула (4872)74-02-29
Тюмень (3452)66-21-18
Ульяновск (8422)24-23-59
Уфа (347)229-48-12
Хабаровск (4212)92-98-04
Челябинск (351)202-03-61
Череповец (8202)49-02-64
Ярославль (4852)69-52-93



UNIDIREZIONALE PER CILINDRO

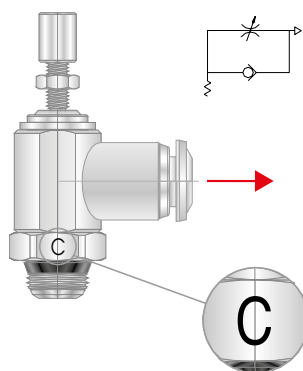
UNI-DIRECTIONAL FOR CYLINDER

DROSSELUNG FÜR ZYLINDER (ABLUFT)

UNIDIRECTIONNEL À L'ÉCHAPPEMENT

UNIDIRECCIONAL PARA CILINDRO

UNIDIRECCIONAL PARA CILINDRO



CODE:

50901 - 55900 - 56900 - 57901

50905 - 55905 - 56905 - 57905

55902

55906



UNIDIREZIONALE PER VAVOLA

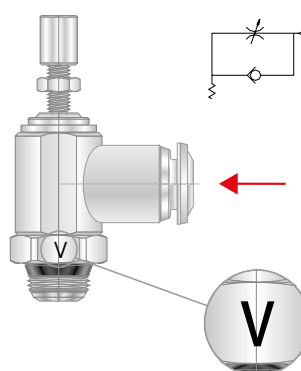
UNI-DIRECTIONAL FOR VALVE

DROSSELUNG FÜR VENTILE (ZULUFT)

UNIDIRECTIONNEL À L'ADMISSION

UNIDIRECCIONAL PARA VÁLVULA

UNIDIRECCIONAL PARA VÁLVULA



CODE:

50910 - 55910 - 56910 - 57910

50915 - 55915 - 56915 - 57915

55912

55916



BIDIREZIONALE

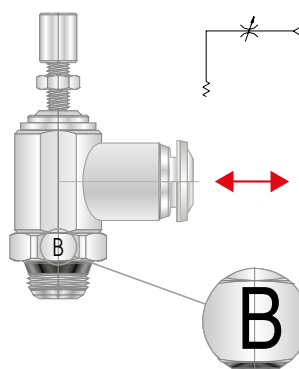
BI-DIRECTIONAL

BI-DIREKTIONAL (OHNE RÜCKSCHLAG)

BI-DIRECTIONNEL

BIDIRECCIONAL

BI-DIRECCIONAL



CODE:

50920 - 55920 - 56920 - 57920

50925 - 55925 - 56925 - 57925

55922

55926

LEGENDA
KEY
LEGENDE
LEGENDE
LEYENDA
LEGENDA



Regolazione a cacciavite - Screwdriver regulation - Einstellbar mit schraubenzieher
A vis noyée - Regulación a destornillador - Regulagem por parafuso



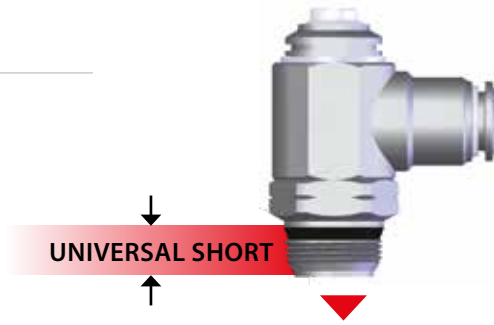
Regolazione manuale - Manual regulation - Einstellbar von hand
Réglage manuel - Regulación manual - Regulagem manual



Filettatura IT Filettatura "UNIVERSAL SHORT". Metrica conforme ISO R/262. Gas cilíndrica conforme ISO 228 Classe A.	Threads GB "UNIVERSAL SHORT" Threads. Metric in conformity with ISO R/262. Parallel gas in conformity with ISO 228 Class A.	Gewindearten DE Gewinde "UNIVERSAL SHORT". Metrisches Gewinde nach Norm ISO R/262. Zylindrisches Gewinde nach Norm ISO 228 Classe A.
Filetages FR Filetage "UNIVERSAL SHORT". Filetage métrique conforme ISO R/262. Filetage cylindrique conforme ISO 228 Class A.	Roscas ES Rosca "UNIVERSAL SHORT". Métrica conforme ISO R/262. Gas cilíndrica conforme ISO 228 Clase A.	Roscas PT Rosca "UNIVERSAL SHORT". Métrica conforme ISO R/262. Gas paralela conforme ISO 228 Classe A.



UNIVERSAL SHORT



<p>↓</p> <p>NPT NPTF</p> <p>Conica Tapered Konisch Conique Cónica Cônica</p>	<p>↓</p> <p>ISO 7 BSPP</p> <p>Cilíndrica Paralell Zylindrisch Cylindrique Cilíndrica Paralela</p>	<p>↓</p> <p>ISO 7 BSPT PT</p> <p>Conica Tapered Konisch Conique Cónica Cônica</p>	<p>↓</p> <p>ISO 228 BSP PF</p> <p>Cilíndrica Paralell Zylindrisch Cylindrique Cilíndrica Paralela</p>
--	---	--	--

<p>"UNIVERSAL SHORT" IT</p> <p>La filettatura conica "UNIVERSAL SHORT" è progettata per soddisfare le seguenti caratteristiche:</p> <ul style="list-style-type: none"> • ridurre la lunghezza d'ingombro; • ridurre la chiave rispetto ad alcuni regolatori con filettature cilindriche; • consentire l'accoppiamento con diversi standard di filettature femmina sia coniche che cilindriche. 	<p>"UNIVERSAL SHORT" GB</p> <p>The "UNIVERSAL SHORT" taper thread has been designed to offer the following advantages to the users:</p> <ul style="list-style-type: none"> • reduced overall length; • smaller hex dimensions compared to the parallel threads; • to allow the assembly with different female threads both taper as well as parallel. 	<p>"UNIVERSAL SHORT" DE</p> <p>Das konische Gewinde "UNIVERSAL SHORT" ist so konzipiert, dass folgende Vorteile erzielt werden:</p> <ul style="list-style-type: none"> • Reduzierung der Länge des Gewindes - kürzere Montagezeit; • Reduzierung der Schlüsselweite im Vergleich von Durchflussregler mit zylindrischen Gewinden - geringerer Lochabstand • Ermöglicht den Einsatz in verschiedene Gewindearten, sowie in konische- und zylindrische Innengewinde.
<p>"UNIVERSAL SHORT" FR</p> <p>Le filetage conique "UNIVERSAL SHORT" a été conçu pour satisfaire les exigences suivantes:</p> <ul style="list-style-type: none"> • réduire la longueur d'encombrement; • réduire les dimensions hexagonales par rapport au filetage cylindrique; • permettre le montage avec divers taraudages standards soit coniques soit cylindriques. 	<p>"UNIVERSAL SHORT" ES</p> <p>La rosca cónica "UNIVERSAL SHORT" ha sido proyectada para satisfacer las siguientes características:</p> <ul style="list-style-type: none"> • reducir la longitud; • reducir la llave respecto a algunos reguladores con rosca cilíndrica; • consentir el acoplamiento con diferentes standard de rosca hembra sean cónicas o cilíndricas. 	<p>"UNIVERSAL SHORT" PT</p> <p>A rosca cônica "UNIVERSAL SHORT" é projetada para satisfazer às seguintes características:</p> <ul style="list-style-type: none"> • reduzir o comprimento da conexão; • reduzir o dimensional com relação às rosca paralelas; • permitir o acoplamento da conexão a diferentes tipos de rosca fêmea, sejam elas cónicas ou paralelas.



Inclinate
Inclined
Geneigt
Incliné
Inclinada
Inclinadas



Concave
Concave
Konkav
Concave
Côncava
Côncavas



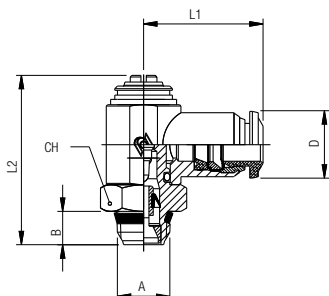
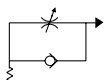
Convexe
Convex
Konvex
Convexe
Convexa
Convexas

<p>IT</p> <p>Consentire una completa tenuta anche su superfici non perfettamente piane, concave, convesse o inclinate, con diversi smussi o raggi.</p>	<p>GB</p> <p>To ensure the right tightening also with surfaces not perfectly flat, without spot-facing, concave convex and with different kinds of chamfers or radius.</p>	<p>DE</p> <p>Eine vollständige Abdichtung ist auch auf unebenen Flächen, wie geneigt, konkav oder konvex und mit unterschiedlichen Radien oder Fasen gewährleistet.</p>
<p>FR</p> <p>Pour permettre une parfaite étanchéité même sur des surfaces non planes, concaves, convexas ou inclinées et avec différents chanfreins ou rayons.</p>	<p>ES</p> <p>Consentir una completa estanqueidad incluso en superficies no perfectamente planas, cóncavas, convexas o inclinadas, con diferentes ángulos o radios.</p>	<p>PT</p> <p>Permite um aperto correto em superfícies não perfeitamente planas, côncavas, convexas ou inclinadas, com diferentes chanfros ou raios.</p>

50901

REGOLATORE UNIDIREZIONALE ORIENTABILE PER CILINDRO "UNIVERSAL SHORT"

ORIENTING FLOW REGULATOR FOR CYLINDER "UNIVERSAL SHORT"
 DURCHFLOSSREGLER ABLUFTDROSSELUNG (DREHBAR) "UNIVERSAL SHORT"
 RÉGLEUR DE DÉBIT À L'ÉCHAPPEMENT FILETAGE (ORIENTABLE) "UNIVERSAL SHORT"
 REGULADOR UNIDIRECCIONAL ORIENTABLE PARA CILINDRO "UNIVERSAL SHORT"
 REGULADORA UNIDIRECCIONAL ORIENTÁVEL PARA CILINDRO ROSCA "UNIVERSAL SHORT"

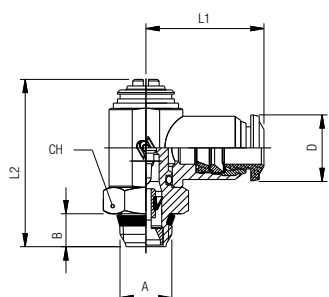
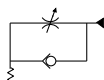


Code	Tube	A	B	L1	L2	CH	D	Pack.
50901 00 001	3	M5	4	19	29.5	8	10	10
50901 00 002	4	M5	4	19	29.5	8	10	10
50901 00 003	4	1/8	5.5	21	31	14	10	10
50901 00 004	5	M5	4	20	29.5	8	12.5	10
50901 00 005	5	1/8	5.5	21.5	31	14	12.5	10
50901 00 006	5	1/4	7	24.5	36.5	17	12.5	10
50901 00 007	6	M5	4	20.5	29.5	8	12.5	10
50901 00 008	6	1/8	5.5	22.5	31	14	12.5	10
50901 00 009	6	1/4	7	25	36.5	17	12.5	10
50901 00 010	8	1/8	5.5	24	31	14	14	10
50901 00 011	8	1/4	7	26	36.5	17	14	10
50901 00 016	8	3/8	7.5	28.5	42.5	20	14	10
50901 00 017	10	1/4	7	28.5	36.5	17	17	10
50901 00 012	10	3/8	7.5	30.5	42.5	20	17	10
50901 00 013	12	3/8	7.5	32.5	42.5	20	21.5	10
50901 00 014	12	1/2	9	35	47	24	21.5	10
50901 00 015	14	1/2	9	35.5	47	24	21.5	10

50910

REGOLATORE UNIDIREZIONALE ORIENTABILE PER VALVOLA "UNIVERSAL SHORT"

ORIENTING FLOW REGULATOR FOR VALVE "UNIVERSAL SHORT"
 DURCHFLOSSREGLER ZULUFTDROSSELUNG (DREHBAR) "UNIVERSAL SHORT"
 RÉGLEUR DE DÉBIT À L'ADMISSION FILETAGE (ORIENTABLE) "UNIVERSAL SHORT"
 REGULADOR UNIDIRECCIONAL ORIENTABLE PARA VÁLVULA "UNIVERSAL SHORT"
 REGULADORA UNIDIRECCIONAL ORIENTÁVEL PARA VÁLVULA ROSCA "UNIVERSAL SHORT"

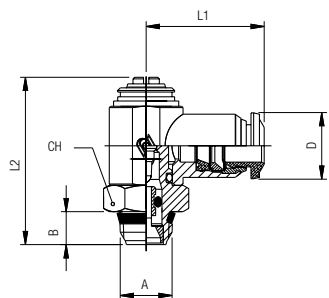


Code	Tube	A	B	L1	L2	CH	D	Pack.
50910 00 001	3	M5	4	19	29.5	8	10	10
50910 00 002	4	M5	4	19	29.5	8	10	10
50910 00 003	4	1/8	5.5	21	31	14	10	10
50910 00 004	5	M5	4	20	29.5	8	12.5	10
50910 00 005	5	1/8	5.5	21.5	31	14	12.5	10
50910 00 006	5	1/4	7	24.5	36.5	17	12.5	10
50910 00 007	6	M5	4	20.5	29.5	8	12.5	10
50910 00 008	6	1/8	5.5	22.5	31	14	12.5	10
50910 00 009	6	1/4	7	25	36.5	17	12.5	10
50910 00 010	8	1/8	5.5	24	31	14	14	10
50910 00 011	8	1/4	7	26	36.5	17	14	10
50910 00 016	8	3/8	7.5	28.5	42.5	20	14	10
50910 00 017	10	1/4	7	28.5	36.5	17	17	10
50910 00 012	10	3/8	7.5	30.5	42.5	20	17	10
50910 00 013	12	3/8	7.5	32.5	42.5	20	21.5	10
50910 00 014	12	1/2	9	35	47	24	21.5	10
50910 00 015	14	1/2	9	35.5	47	24	21.5	10

50920

REGOLATORE BIDIREZIONALE ORIENTABILE "UNIVERSAL SHORT"

ORIENTING BI-DIRECTIONAL FLOW REGULATOR "UNIVERSAL SHORT"
 DURCHFLOSSREGLER BI-DIREKTIONAL (DREHBAR) "UNIVERSAL SHORT"
 RÉGLEUR DE DÉBIT BI-DIRECTIONNEL FILETAGE (ORIENTABLE) "UNIVERSAL SHORT"
 REGULADOR BIDIRECCIONAL ORIENTABLE "UNIVERSAL SHORT"
 REGULADORA BI-DIRECCIONAL ORIENTÁVEL ROSCA "UNIVERSAL SHORT"



Code	Tube	A	B	L1	L2	CH	D	Pack.
50920 00 001	3	M5	4	19	29.5	8	10	10
50920 00 002	4	M5	4	19	29.5	8	10	10
50920 00 003	4	1/8	5.5	21	31	14	10	10
50920 00 004	5	M5	4	20	29.5	8	12.5	10
50920 00 005	5	1/8	5.5	21.5	31	14	12.5	10
50920 00 006	5	1/4	7	24.5	36.5	17	12.5	10
50920 00 007	6	M5	4	20.5	29.5	8	12.5	10
50920 00 008	6	1/8	5.5	22.5	31	14	12.5	10
50920 00 009	6	1/4	7	25	36.5	17	12.5	10
50920 00 010	8	1/8	5.5	24	31	14	14	10
50920 00 011	8	1/4	7	26	36.5	17	14	10
50920 00 016	8	3/8	7.5	28.5	42.5	20	14	10
50920 00 017	10	1/4	7	28.5	36.5	17	17	10
50920 00 012	10	3/8	7.5	30.5	42.5	20	17	10
50920 00 013	12	3/8	7.5	32.5	42.5	20	21.5	10
50920 00 014	12	1/2	9	35	47	24	21.5	10
50920 00 015	14	1/2	9	35.5	47	24	21.5	10

50905

REGOLATORE UNIDIREZIONALE ORIENTABILE PER CILINDRO "UNIVERSAL SHORT"

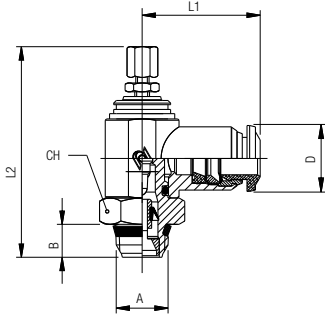
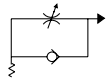
ORIENTING FLOW REGULATOR FOR CYLINDER "UNIVERSAL SHORT"

DURCHFLOSSREGLER ZULUFTDROSSELUNG (DREHBAR) "UNIVERSAL SHORT"

RÉGLEUR DE DÉBIT À L'ÉCHAPPEMENT FILETAGE (ORIENTABLE) "UNIVERSAL SHORT"

REGULADOR UNIDIRECCIONAL ORIENTABLE PARA CILINDRO "UNIVERSAL SHORT"

REGULADORA UNIDIRECCIONAL ORIENTÁVEL PARA CILINDRO ROSCA "UNIVERSAL SHORT"



Code	Tube	A	B	L1	L2 min	L2 max	CH	D	Pack.
50905 00 001	3	M5	4	19	39.5	43.5	8	10	10
50905 00 002	4	M5	4	19	39.5	43.5	8	10	10
50905 00 003	4	1/8	5.5	21	44	49	14	10	10
50905 00 004	5	M5	4	20	39.5	43.5	8	12.5	10
50905 00 005	5	1/8	5.5	21.5	44	49	14	12.5	10
50905 00 006	5	1/4	7	24.5	48.5	55	17	12.5	10
50905 00 007	6	M5	4	20.5	39.5	43.5	8	12.5	10
50905 00 008	6	1/8	5.5	22.5	44	49	14	12.5	10
50905 00 009	6	1/4	7	25	48.5	55	17	12.5	10
50905 00 010	8	1/8	5.5	24	44	49	14	14	10
50905 00 011	8	1/4	7	26	48.5	55	17	14	10
50905 00 016	8	3/8	7.5	28.5	56	65	20	14	10
50905 00 017	10	1/4	7	28.5	48.5	55	17	17	10
50905 00 012	10	3/8	7.5	30.5	56	65	20	17	10
50905 00 013	12	3/8	7.5	32.5	56	65	20	21.5	10
50905 00 014	12	1/2	9	35	62	69	24	21.5	10
50905 00 015	14	1/2	9	35.5	62	69	24	21.5	10

50915

REGOLATORE UNIDIREZIONALE ORIENTABILE PER VALVOLA "UNIVERSAL SHORT"

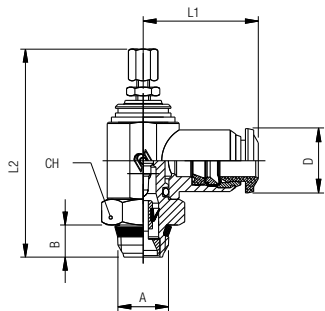
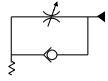
ORIENTING FLOW REGULATOR FOR VALVE "UNIVERSAL SHORT"

DURCHFLOSSREGLER ZULUFTDROSSELUNG (DREHBAR) "UNIVERSAL SHORT"

RÉGLEUR DE DÉBIT À L'ADMISSION FILETAGE (ORIENTABLE) "UNIVERSAL SHORT"

REGULADOR UNIDIRECCIONAL ORIENTABLE PARA VÁLVULA "UNIVERSAL SHORT"

REGULADORA UNIDIRECCIONAL ORIENTÁVEL PARA VÁLVULA ROSCA "UNIVERSAL SHORT"



Code	Tube	A	B	L1	L2 min	L2 max	CH	D	Pack.
50915 00 001	3	M5	4	19	39.5	43.5	8	10	10
50915 00 002	4	M5	4	19	39.5	43.5	8	10	10
50915 00 003	4	1/8	5.5	21	44	49	14	10	10
50915 00 004	5	M5	4	20	39.5	43.5	8	12.5	10
50915 00 005	5	1/8	5.5	21.5	44	49	14	12.5	10
50915 00 006	5	1/4	7	24.5	48.5	55	17	12.5	10
50915 00 007	6	M5	4	20.5	39.5	43.5	8	12.5	10
50915 00 008	6	1/8	5.5	22.5	44	49	14	12.5	10
50915 00 009	6	1/4	7	25	48.5	55	17	12.5	10
50915 00 010	8	1/8	5.5	24	44	49	14	14	10
50915 00 011	8	1/4	7	26	48.5	55	17	14	10
50915 00 016	8	3/8	7.5	28.5	56	65	20	14	10
50915 00 017	10	1/4	7	28.5	48.5	55	17	17	10
50915 00 012	10	3/8	7.5	30.5	56	65	20	17	10
50915 00 013	12	3/8	7.5	32.5	56	65	20	21.5	10
50915 00 014	12	1/2	9	35	62	69	24	21.5	10
50915 00 015	14	1/2	9	35.5	62	69	24	21.5	10

50925

REGOLATORE BIDIREZIONALE ORIENTABILE "UNIVERSAL SHORT"

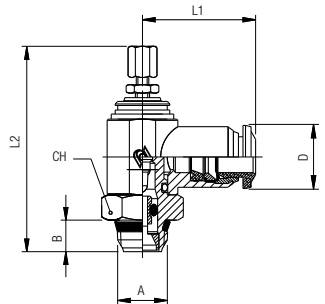
ORIENTING BI-DIRECTIONAL FLOW REGULATOR "UNIVERSAL SHORT"

DURCHFLOSSREGLER BI-DIREKTIONAL (DREHBAR) "UNIVERSAL SHORT"

RÉGLEUR DE DÉBIT BI-DIRECTIONNEL FILETAGE (ORIENTABLE) "UNIVERSAL SHORT"

REGULADOR BIDIRECCIONAL ORIENTABLE "UNIVERSAL SHORT"

REGULADORA BI-DIRECCIONAL ORIENTÁVEL ROSCA "UNIVERSAL SHORT"

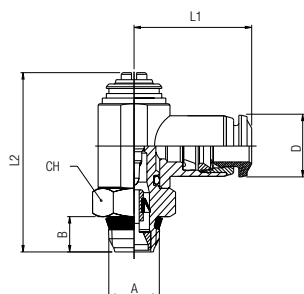


Code	Tube	A	B	L1	L2 min	L2 max	CH	D	Pack.
50925 00 001	3	M5	4	19	39.5	43.5	8	10	10
50925 00 002	4	M5	4	19	39.5	43.5	8	10	10
50925 00 003	4	1/8	5.5	21	44	49	14	10	10
50925 00 004	5	M5	4	20	39.5	43.5	8	12.5	10
50925 00 005	5	1/8	5.5	21.5	44	49	14	12.5	10
50925 00 006	5	1/4	7	24.5	48.5	55	17	12.5	10
50925 00 007	6	M5	4	20.5	39.5	43.5	8	12.5	10
50925 00 008	6	1/8	5.5	22.5	44	49	14	12.5	10
50925 00 009	6	1/4	7	25	48.5	55	17	12.5	10
50925 00 010	8	1/8	5.5	24	44	49	14	14	10
50925 00 011	8	1/4	7	26	48.5	55	17	14	10
50925 00 016	8	3/8	7.5	28.5	56	65	20	14	10
50925 00 017	10	1/4	7	28.5	48.5	55	17	17	10
50925 00 012	10	3/8	7.5	30.5	56	65	20	17	10
50925 00 013	12	3/8	7.5	32.5	56	65	20	21.5	10
50925 00 014	12	1/2	9	35	62	69	24	21.5	10
50925 00 015	14	1/2	9	35.5	62	69	24	21.5	10

55900

REGOLATORE UNIDIREZIONALE ORIENTABILE PER CILINDRO "UNIVERSAL SHORT"

ORIENTING FLOW REGULATOR FOR CYLINDER "UNIVERSAL SHORT"
 DURCHFLOSSREGLER ABLUFTDROSSELUNG (DREHBAR) "UNIVERSAL SHORT"
 RÉGLEUR DE DÉBIT À L'ÉCHAPPEMENT FILETAGE (ORIENTABLE) "UNIVERSAL SHORT"
 REGULADOR UNIDIRECCIONAL ORIENTABLE PARA CILINDRO "UNIVERSAL SHORT"
 REGULADORA UNIDIRECCIONAL ORIENTÁVEL PARA CILINDRO ROSCA "UNIVERSAL SHORT"

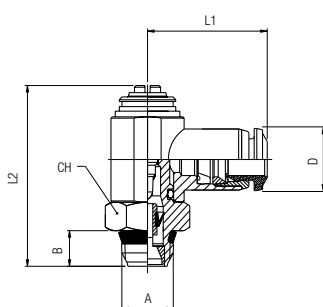


Code	Tube	A	B	L1	L2	CH	D	Pack.
55900 00 002	4	M5	5.5	19.5	29.5	8	10	10
55900 00 003	4	1/8	5.5	21.5	31	14	10	10
55900 00 004	5	M5	5.5	20.5	29.5	8	12.5	10
55900 00 005	5	1/8	5.5	22.5	31	14	12.5	10
55900 00 006	5	1/4	7	25	36.5	17	12.5	10
55900 00 007	6	M5	5.5	21	29.5	8	12.5	10
55900 00 008	6	1/8	5.5	23	31	14	12.5	10
55900 00 009	6	1/4	7	25.5	36.5	17	12.5	10
55900 00 010	8	1/8	5.5	23.5	31	14	14	10
55900 00 011	8	1/4	7	26	36.5	17	14	10
55900 00 012	8	3/8	8.5	27.5	42.5	20	14	10
55900 00 013	10	3/8	8.5	30.5	42.5	20	17	10
55900 00 014	12	3/8	8.5	32.5	42.5	20	21.5	10
55900 00 015	12	1/2	10	35	47	24	21.5	10

55910

REGOLATORE UNIDIREZIONALE ORIENTABILE PER VALVOLA "UNIVERSAL SHORT"

ORIENTING FLOW REGULATOR FOR VALVE "UNIVERSAL SHORT"
 DURCHFLOSSREGLER ZULUFTDROSSELUNG (DREHBAR) "UNIVERSAL SHORT"
 RÉGLEUR DE DÉBIT À L'ADMISSION FILETAGE (ORIENTABLE) "UNIVERSAL SHORT"
 REGULADOR UNIDIRECCIONAL ORIENTABLE PARA VÁLVULA "UNIVERSAL SHORT"
 REGULADORA UNIDIRECCIONAL ORIENTÁVEL PARA VÁLVULA ROSCA "UNIVERSAL SHORT"

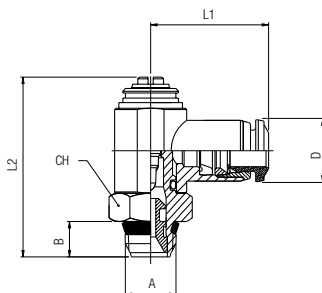


Code	Tube	A	B	L1	L2	CH	D	Pack.
55910 00 002	4	M5	4	19.5	29.5	8	10	10
55910 00 003	4	1/8	5.5	21.5	31	14	10	10
55910 00 004	5	M5	4	20.5	29.5	8	12.5	10
55910 00 005	5	1/8	5.5	22.5	31	14	12.5	10
55910 00 006	5	1/4	7	25	36.5	17	12.5	10
55910 00 007	6	M5	4	21	29.5	8	12.5	10
55910 00 008	6	1/8	5.5	23	31	14	12.5	10
55910 00 009	6	1/4	7	25.5	36.5	17	12.5	10
55910 00 010	8	1/8	5.5	23.5	31	14	14	10
55910 00 011	8	1/4	7	26	36.5	17	14	10
55910 00 012	8	3/8	8.5	27.5	42.5	20	14	10
55910 00 013	10	3/8	8.5	30.5	42.5	20	17	10
55910 00 014	12	3/8	8.5	32.5	42.5	20	21.5	10
55910 00 015	12	1/2	10	35	47	24	21.5	10

55920

REGOLATORE BIDIREZIONALE ORIENTABILE "UNIVERSAL SHORT"

ORIENTING BI-DIRECTIONAL FLOW REGULATOR "UNIVERSAL SHORT"
 DURCHFLOSSREGLER BI-DIREKTIONAL (DREHBAR) "UNIVERSAL SHORT"
 RÉGLEUR DE DÉBIT BI-DIRECTIONNEL FILETAGE (ORIENTABLE) "UNIVERSAL SHORT"
 REGULADOR BIDIRECCIONAL ORIENTABLE "UNIVERSAL SHORT"
 REGULADORA BI-DIRECCIONAL ORIENTÁVEL ROSCA "UNIVERSAL SHORT"

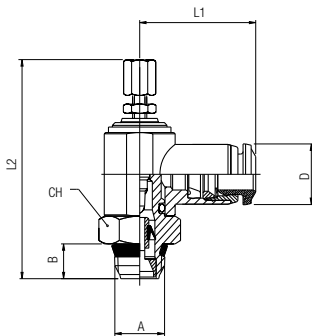


Code	Tube	A	B	L1	L2	CH	D	Pack.
55920 00 002	4	M5	4	19.5	29.5	8	10	10
55920 00 003	4	1/8	5.5	21.5	31	14	10	10
55920 00 004	5	M5	4	20.5	29.5	8	12.5	10
55920 00 005	5	1/8	5.5	22.5	31	14	12.5	10
55920 00 006	5	1/4	7	25	36.5	17	12.5	10
55920 00 007	6	M5	4	21	29.5	8	12.5	10
55920 00 008	6	1/8	5.5	23	31	14	12.5	10
55920 00 009	6	1/4	7	25.5	36.5	17	12.5	10
55920 00 010	8	1/8	5.5	23.5	31	14	14	10
55920 00 011	8	1/4	7	26	36.5	17	14	10
55920 00 012	8	3/8	8.5	27.5	42.5	20	14	10
55920 00 013	10	3/8	8.5	30.5	42.5	20	17	10
55920 00 014	12	3/8	8.5	32.5	42.5	20	21.5	10
55920 00 015	12	1/2	10	35	47	24	21.5	10

55905

REGOLATORE UNIDIREZIONALE ORIENTABILE PER CILINDRO "UNIVERSAL SHORT"

ORIENTING FLOW REGULATOR FOR CYLINDER "UNIVERSAL SHORT"
 DURCHFLOSSREGLER ABLUFTDROSSELUNG (DREHBAR) "UNIVERSAL SHORT"
 RÉGLEUR DE DÉBIT À L'ÉCHAPPEMENT FILETAGE (ORIENTABLE) "UNIVERSAL SHORT"
 REGULADOR UNIDIRECCIONAL ORIENTABLE PARA CILINDRO "UNIVERSAL SHORT"
 REGULADORA UNIDIRECCIONAL ORIENTÁVEL PARA CILINDRO ROSCA "UNIVERSAL SHORT"

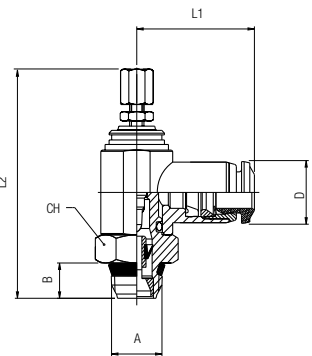


Code	Tube	A	B	L1	L2 min	L2 max	CH	D	Pack.
55905 00 002	4	M5	4	19.5	39.5	43.5	8	10	10
55905 00 003	4	1/8	5.5	21.5	44	49	14	10	10
55905 00 004	5	M5	4	20.5	39.5	43.5	8	12.5	10
55905 00 005	5	1/8	5.5	22.5	44	49	14	12.5	10
55905 00 006	5	1/4	7	25	48.5	55	17	12.5	10
55905 00 007	6	M5	4	21	39.5	43.5	8	12.5	10
55905 00 008	6	1/8	5.5	23	44	49	14	12.5	10
55905 00 009	6	1/4	7	25.5	48.5	55	17	12.5	10
55905 00 010	8	1/8	5.5	23.5	44	49	14	14	10
55905 00 011	8	1/4	7	26	48.5	55	17	14	10
55905 00 012	8	3/8	8.5	27.5	56	65	20	14	10
55905 00 013	10	3/8	8.5	30.5	56	65	20	17	10
55905 00 014	12	3/8	8.5	32.5	56	65	20	21.5	10
55905 00 015	12	1/2	10	35	62	69	24	21.5	10

55915

REGOLATORE UNIDIREZIONALE ORIENTABILE PER VALVOLA "UNIVERSAL SHORT"

ORIENTING FLOW REGULATOR FOR VALVE "UNIVERSAL SHORT"
 DURCHFLOSSREGLER ZULUFTDROSSELUNG (DREHBAR) "UNIVERSAL SHORT"
 RÉGLEUR DE DÉBIT À L'ADMISSION FILETAGE (ORIENTABLE) "UNIVERSAL SHORT"
 REGULADOR UNIDIRECCIONAL ORIENTABLE PARA VÁLVULA "UNIVERSAL SHORT"
 REGULADORA UNIDIRECCIONAL ORIENTÁVEL PARA VÁLVULA ROSCA "UNIVERSAL SHORT"

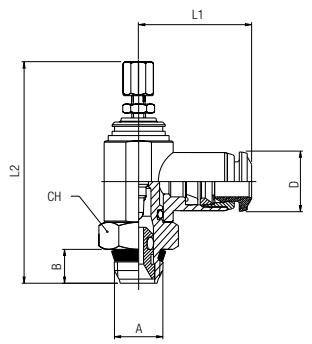


Code	Tube	A	B	L1	L2 min	L2 max	CH	D	Pack.
55915 00 002	4	M5	4	19.5	39.5	43.5	8	10	10
55915 00 003	4	1/8	5.5	21.5	44	49	14	10	10
55915 00 004	5	M5	4	20.5	39.5	43.5	8	12.5	10
55915 00 005	5	1/8	5.5	22.5	44	49	14	12.5	10
55915 00 006	5	1/4	7	25	48.5	55	17	12.5	10
55915 00 007	6	M5	4	21	39.5	43.5	8	12.5	10
55915 00 008	6	1/8	5.5	23	44	49	14	12.5	10
55915 00 009	6	1/4	7	25.5	48.5	55	17	12.5	10
55915 00 010	8	1/8	5.5	23.5	44	49	14	14	10
55915 00 011	8	1/4	7	26	48.5	55	17	14	10
55915 00 012	8	3/8	8.5	27.5	56	65	20	14	10
55915 00 013	10	3/8	8.5	30.5	56	65	20	17	10
55915 00 014	12	3/8	8.5	32.5	56	65	20	21.5	10
55915 00 015	12	1/2	10	35	62	69	24	21.5	10

55925

REGOLATORE BIDIREZIONALE ORIENTABILE "UNIVERSAL SHORT"

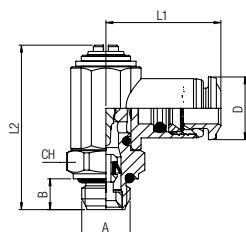
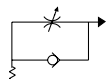
ORIENTING BI-DIRECTIONAL FLOW REGULATOR "UNIVERSAL SHORT"
 DURCHFLOSSREGLER BI-DIREKTIONAL (DREHBAR) "UNIVERSAL SHORT"
 RÉGLEUR DE DÉBIT BI-DIRECTIONNEL FILETAGE (ORIENTABLE) "UNIVERSAL SHORT"
 REGULADOR BIDIRECCIONAL ORIENTABLE "UNIVERSAL SHORT"
 REGULADORA BI-DIRECCIONAL ORIENTÁVEL ROSCA "UNIVERSAL SHORT"



Code	Tube	A	B	L1	L2 min	L2 max	CH	D	Pack.
55925 00 002	4	M5	4	19.5	39.5	43.5	8	10	10
55925 00 003	4	1/8	5.5	21.5	44	49	14	10	10
55925 00 004	5	M5	4	20.5	39.5	43.5	8	12.5	10
55925 00 005	5	1/8	5.5	22.5	44	49	14	12.5	10
55925 00 006	5	1/4	7	25	48.5	55	17	12.5	10
55925 00 007	6	M5	4	21	39.5	43.5	8	12.5	10
55925 00 008	6	1/8	5.5	23	44	49	14	12.5	10
55925 00 009	6	1/4	7	25.5	48.5	55	17	12.5	10
55925 00 010	8	1/8	5.5	23.5	44	49	14	14	10
55925 00 011	8	1/4	7	26	48.5	55	17	14	10
55925 00 012	8	3/8	8.5	27.5	56	65	20	14	10
55925 00 013	10	3/8	8.5	30.5	56	65	20	17	10
55925 00 014	12	3/8	8.5	32.5	56	65	20	21.5	10
55925 00 015	12	1/2	10	35	62	69	24	21.5	10

55902

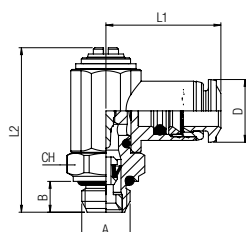
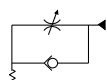
REGOLATORE UNIDIREZIONALE ORIENTABILE PER CILINDRO FILETTO CILINDRICO
 ORIENTING FLOW REGULATOR FOR CYLINDER (PARALLEL)
 DURCHFLUSSREGLER ABLUFTDROSSELUNG (DREHBAR) MIT ZYL. GEWINDE
 RÉGLEUR A L'ÉCHAPPEMENT FILETAGE CYLINDRIQUE
 REGULADOR UNIDIRECCIONAL ORIENTABLE PARA CILINDRO ROSCA CILÍNDRICA
 REGULADORA PARA CILINDRO UNIDIRECCIONAL ORIENTÁVEL COM ROSCA PARALELA



Code	Tube	A	B	L1	L2	CH	D	Pack.
55902 00 003	4	1/8	5.5	21.5	31	14	10	10
55902 00 008	6	1/8	5.5	23	31	14	12.5	10
55902 00 009	6	1/4	5.5	25.5	36.5	17	12.5	10
55902 00 010	8	1/8	5.5	23.5	31	14	14	10
55902 00 011	8	1/4	7	26	36.5	17	14	10
55902 00 012	8	3/8	8	27	42.5	20	14	10
55902 00 016	10	1/4	8	31	36.5	17	17	10
55902 00 013	10	3/8	8	30	42.5	20	17	10
55902 00 014	12	3/8	8	32	42.5	20	21.5	10
55902 00 015	12	1/2	9.5	34.5	47	24	21.5	10

55912

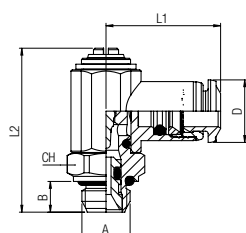
REGOLATORE UNIDIREZIONALE ORIENTABILE PER VALVOLA FILETTO CILINDRICO
 ORIENTING FLOW REGULATOR FOR VALVE (PARALLEL)
 DURCHFLUSSREGLER ZULUFTDROSSELUNG (DREHBAR) MIT ZYL. GEWINDE
 RÉGLEUR A L'ADMISSION FILETAGE CYLINDRIQUE
 REGULADOR UNIDIRECCIONAL ORIENTABLE PARA VÁLVULA ROSCA CILÍNDRICA
 REGULADORA PARA VÁLVULA UNIDIRECCIONAL ORIENTÁVEL COM ROSCA PARALELA



Code	Tube	A	B	L1	L2	CH	D	Pack.
55912 00 003	4	1/8	5.5	21.5	31	14	10	10
55912 00 008	6	1/8	5.5	23	31	14	12.5	10
55912 00 009	6	1/4	5.5	25.5	36.5	17	12.5	10
55912 00 010	8	1/8	5.5	23.5	31	14	14	10
55912 00 011	8	1/4	7	26	36.5	17	14	10
55912 00 012	8	3/8	8	27	42.5	20	14	10
55912 00 016	10	1/4	8	31	36.5	17	17	10
55912 00 013	10	3/8	8	30	42.5	20	17	10
55912 00 014	12	3/8	8	32	42.5	20	21.5	10
55912 00 015	12	1/2	9.5	34.5	47	24	21.5	10

55922

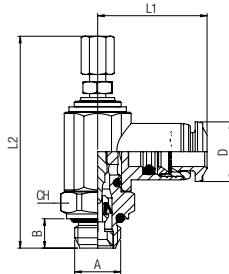
REGOLATORE BIDIREZIONALE ORIENTABILE FILETTO CILINDRICO
 ORIENTING BI-DIRECTIONAL FLOW REGULATOR (PARALLEL)
 DURCHFLUSSREGLER BI-DIREKTIONAL (DREHBAR) MIT ZYL. GEWINDE
 RÉGLEUR BI-DIRECTIONNEL FILETAGE CYLINDRIQUE
 REGULADOR BIDIRECCIONAL ORIENTABLE ROSCA CILÍNDRICA
 REGULADORA BI-DIRECCIONAL ORIENTÁVEL COM ROSCA PARALELA



Code	Tube	A	B	L1	L2	CH	D	Pack.
55922 00 003	4	1/8	5.5	21.5	31	14	10	10
55922 00 008	6	1/8	5.5	23	31	14	12.5	10
55922 00 009	6	1/4	5.5	25.5	36.5	17	12.5	10
55922 00 010	8	1/8	5.5	23.5	31	14	14	10
55922 00 011	8	1/4	7	26	36.5	17	14	10
55922 00 012	8	3/8	8	27	42.5	20	14	10
55922 00 016	10	1/4	8	31	36.5	17	17	10
55922 00 013	10	3/8	8	30	42.5	20	17	10
55922 00 014	12	3/8	8	32	42.5	20	21.5	10
55922 00 015	12	1/2	9.5	34.5	47	24	21.5	10

55906

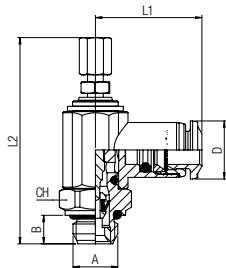
REGOLATORE UNIDIREZIONALE ORIENTABILE PER CILINDRO FILETTO CILINDRICO
 ORIENTING FLOW REGULATOR FOR CYLINDER (PARALLEL)
 DURCHFLOSSREGLER ABLUFTDROSSELUNG (DREHBAR) MIT ZYL. GEWINDE
 RÉGLEUR A L'ÉCHAPPEMENT FILETAGE CYLINDRIQUE
 REGULADOR UNIDIRECCIONAL ORIENTABLE PARA CILINDRO ROSCA CILÍNDRICA
 REGULADORA PARA CILINDRO UNIDIRECCIONAL ORIENTÁVEL COM ROSCA PARALELA



Code	Tube	A	B	L1	L2	CH	D	Pack.
55906 00 009	6	1/4	5.5	25.5	36.5	17	12.5	10
55906 00 010	8	1/8	5.5	23.5	31	14	14	10
55906 00 011	8	1/4	7	26	36.5	17	14	10
55906 00 012	8	3/8	8	27	42.5	20	14	10
55906 00 016	10	1/4	7	30.5	48.5	17	17	10
55906 00 013	10	3/8	8	30	42.5	20	17	10
55906 00 014	12	3/8	8	32	42.5	20	21.5	10
55906 00 015	12	1/2	9.5	34.5	47	24	21.5	10

55916

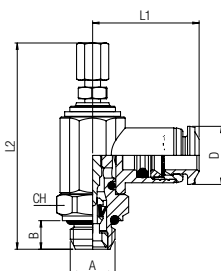
REGOLATORE UNIDIREZIONALE ORIENTABILE PER VALVOLA FILETTO CILINDRICO
 ORIENTING FLOW REGULATOR FOR VALVE (PARALLEL)
 DURCHFLOSSREGLER ZULUFTDROSSELUNG (DREHBAR) MIT ZYL. GEWINDE
 RÉGLEUR A L'ADMISSION FILETAGE CYLINDRIQUE
 REGULADOR UNIDIRECCIONAL ORIENTABLE PARA VÁLVULA ROSCA CILÍNDRICA
 REGULADORA PARA VÁLVULA UNIDIRECCIONAL ORIENTÁVEL COM ROSCA PARALELA



Code	Tube	A	B	L1	L2	CH	D	Pack.
55916 00 009	6	1/4	5.5	25.5	36.5	17	12.5	10
55916 00 010	8	1/8	5.5	23.5	31	14	14	10
55916 00 011	8	1/4	7	26	36.5	17	14	10
55916 00 012	8	3/8	8	27	42.5	20	14	10
55916 00 016	10	1/4	8	31	48.5	17	17	10
55916 00 013	10	3/8	8	30	42.5	20	17	10
55916 00 014	12	3/8	8	32	42.5	20	21.5	10
55916 00 015	12	1/2	9.5	34.5	47	24	21.5	10

55926

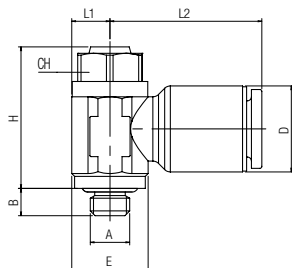
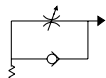
REGOLATORE BIDIREZIONALE ORIENTABILE FILETTO CILINDRICO
 ORIENTING BI-DIRECTIONAL FLOW REGULATOR (PARALLEL)
 DURCHFLOSSREGLER BI-DIREKTIONAL (DREHBAR) MIT ZYL. GEWINDE
 RÉGLEUR BI-DIRECTIONNEL FILETAGE CYLINDRIQUE
 REGULADOR BIDIRECCIONAL ORIENTABLE ROSCA CILÍNDRICA
 REGULADORA BI-DIRECCIONAL ORIENTÁVEL COM ROSCA PARALELA



Code	Tube	A	B	L1	L2	CH	D	Pack.
55926 00 009	6	1/4	5.5	25.5	36.5	17	12.5	10
55926 00 010	8	1/8	5.5	23.5	31	14	14	10
55926 00 011	8	1/4	7	26	36.5	17	14	10
55926 00 012	8	3/8	8	27	42.5	20	14	10
55926 00 016	10	1/4	8	31	48.5	17	17	10
55926 00 013	10	3/8	8	30	42.5	20	17	10
55926 00 014	12	3/8	8	32	42.5	20	21.5	10
55926 00 015	12	1/2	9.5	34.5	47	24	21.5	10

56900

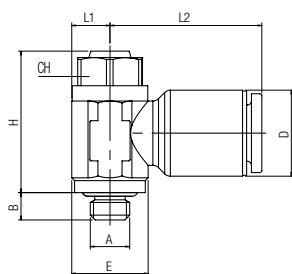
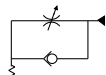
REGOLATORE UNIDIREZIONALE ORIENTABILE PER CILINDRO FILETTO CILINDRICO
 ORIENTING FLOW REGULATOR FOR CYLINDER (PARALLEL)
 DURCHFLUSSREGLER ABLUFTDROSSELUNG (DREHBAR) MIT ZYL. GEWINDE
 RÉGLEUR A L'ÉCHAPPEMENT FILETAGE CYLINDRIQUE
 REGULADOR UNIDIRECCIONAL ORIENTABLE PARA CILINDRO ROSCA CILÍNDRICA
 REGULADORA PARA CILINDRO UNIDIRECCIONAL ORIENTÁVEL COM ROSCA PARALELA



Code	Tube	A	B	H	E	L1	L2	D	CH	Pack.
56900 00 001	4	M5	3.6	18	9.5	4.5	16.5	8.5	8	10
56900 00 002	6	M5	3.6	18	9.5	4.5	19	10.5	8	10

56910

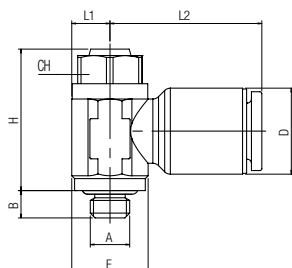
REGOLATORE UNIDIREZIONALE ORIENTABILE PER VALVOLA FILETTO CILINDRICO
 ORIENTING FLOW REGULATOR FOR VALVE (PARALLEL)
 DURCHFLUSSREGLER ZULUFTDROSSELUNG (DREHBAR) MIT ZYL. GEWINDE
 RÉGLEUR A L'ADMISSION FILETAGE CYLINDRIQUE
 REGULADOR UNIDIRECCIONAL ORIENTABLE PARA VÁLVULA ROSCA CILÍNDRICA
 REGULADORA PARA VÁLVULA UNIDIRECCIONAL ORIENTÁVEL COM ROSCA PARALELA



Code	Tube	A	B	H	E	L1	L2	D	CH	Pack.
56910 00 001	4	M5	3.6	18	9.5	4.5	16.5	8.5	8	10
56910 00 002	6	M5	3.6	18	9.5	4.5	19	10.5	8	10

56920

REGOLATORE BIDIREZIONALE ORIENTABILE FILETTO CILINDRICO
 ORIENTING BI-DIRECTIONAL FLOW REGULATOR (PARALLEL)
 DURCHFLUSSREGLER BI-DIREKTIONAL (DREHBAR) MIT ZYL. GEWINDE
 RÉGLEUR BI-DIRECTIONNEL FILETAGE CYLINDRIQUE
 REGULADOR BIDIRECCIONAL ORIENTABLE ROSCA CILÍNDRICA
 REGULADORA BI-DIRECCIONAL ORIENTÁVEL COM ROSCA PARALELA



Code	Tube	A	B	H	E	L1	L2	D	CH	Pack.
56920 00 001	4	M5	3.6	18	9.5	4.5	16.5	8.5	8	10
56920 00 002	6	M5	3.6	18	9.5	4.5	19	10.5	8	10

56935

REGOLATORE UNIDIREZIONALE ORIENTABILE PER CILINDRO FILETTO CILINDRICO

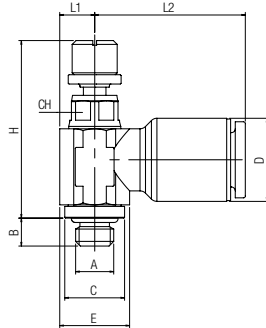
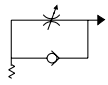
ORIENTING FLOW REGULATOR FOR CYLINDER (PARALLEL)

DURCHFLUSSREGLER ABLUFTDROSSELUNG (DREHBAR) MIT ZYL. GEWINDE

RÉGLEUR A L'ÉCHAPPEMENT FILETAGE CYLINDRIQUE

REGULADOR UNIDIRECCIONAL ORIENTABLE PARA CILINDRO ROSCA CILÍNDRICA

REGULADORA PARA CILINDRO UNIDIRECCIONAL ORIENTÁVEL COM ROSCA PARALELA



Code	Tube	A	B	H	E	C	L1	L2	D	CH	Pack.
56935 00 006	4	M3	3	21.5±24.5	9	7.5	4.5	17	8.5	6	10
56935 00 001	4	M5	3.6	21.5±24.5	9	7.5	4.5	17	8.5	6	10
56935 00 003	4	1/8	5	24±27.5	11.5	13.5	6.5	17	8.5	7	10
56935 00 002	6	M5	3.6	21.5±24.5	9	7.5	4.5	19.5	10.5	6	10
56935 00 004	6	1/8	5	24±27.5	11.5	13.5	6.5	19.5	10.5	7	10

56945

REGOLATORE UNIDIREZIONALE ORIENTABILE PER VALVOLA FILETTO CILINDRICO

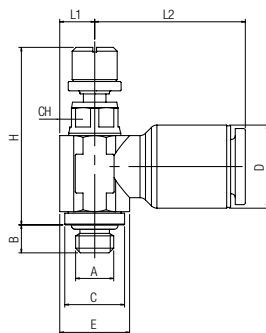
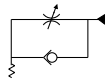
ORIENTING FLOW REGULATOR FOR VALVE (PARALLEL)

DURCHFLUSSREGLER ZULUFTDROSSELUNG (DREHBAR) MIT ZYL. GEWINDE

RÉGLEUR A L'ADMISSION FILETAGE CYLINDRIQUE

REGULADOR UNIDIRECCIONAL ORIENTABLE PARA VÁLVULA ROSCA CILÍNDRICA

REGULADORA PARA VÁLVULA UNIDIRECCIONAL ORIENTÁVEL COM ROSCA PARALELA



Code	Tube	A	B	H	E	C	L1	L2	D	CH	Pack.
56945 00 001	4	M5	3.6	21.5±24.5	9	7.5	4.5	17	8.5	6	10
56945 00 003	4	1/8	5	24±27.5	11.5	13.5	6.5	17	8.5	7	10
56945 00 002	6	M5	3.6	21.5±24.5	9	7.5	4.5	19.5	10.5	6	10
56945 00 004	6	1/8	5	24±27.5	11.5	13.5	6.5	19.5	10.5	7	10

56955

REGOLATORE BIDIREZIONALE ORIENTABILE

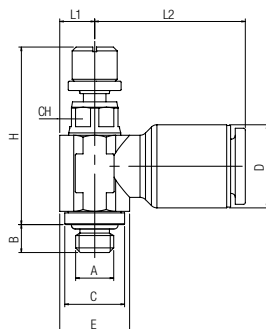
ORIENTING BI-DIRECTIONAL FLOW REGULATOR

DURCHFLUSSREGLER BI-DIREKTIONAL (DREHBAR)

RÉGLEUR DE DÉBIT BI-DIRECTIONNEL FILETAGE (ORIENTABLE)

REGULADOR BIDIRECCIONAL ORIENTABLE

REGULADORA BI-DIRECCIONAL ORIENTÁVEL

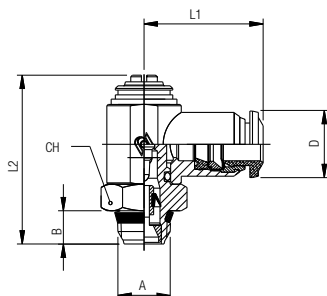
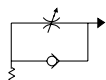


Code	Tube	A	B	H	E	C	L1	L2	D	CH	Pack.
56955 00 001	4	M5	3.6	21.5±24.5	9	7.5	4.5	17	8.5	6	10
56955 00 003	4	1/8	5	24±27.5	11.5	13.5	6.5	17	8.5	7	10
56955 00 002	6	M5	3.6	21.5±24.5	9	7.5	4.5	19.5	10.5	6	10
56955 00 004	6	1/8	5	24±27.5	11.5	13.5	6.5	19.5	10.5	7	10

57901

REGOLATORE UNIDIREZIONALE ORIENTABILE PER CILINDRO "UNIVERSAL SHORT"

ORIENTING FLOW REGULATOR FOR CYLINDER "UNIVERSAL SHORT"
 DURCHFLOSSREGLER ABLUFTDROSSELUNG (DREHBAR) "UNIVERSAL SHORT"
 RÉGLEUR DE DÉBIT À L'ÉCHAPPEMENT FILETAGE (ORIENTABLE) "UNIVERSAL SHORT"
 REGULADOR UNIDIRECCIONAL ORIENTABLE PARA CILINDRO "UNIVERSAL SHORT"
 REGULADORA UNIDIRECCIONAL ORIENTÁVEL PARA CILINDRO ROSCA "UNIVERSAL SHORT"

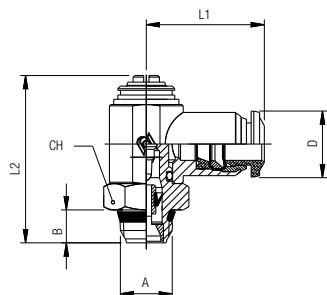
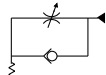


Code	Tube	A	B	L1	L2	CH	D	Pack.
57901 00 002	4	M5	4	19	29.5	8	10	10
57901 00 003	4	1/8	5.5	21	31	14	10	10
57901 00 004	5	M5	4	20	29.5	8	12.5	10
57901 00 005	5	1/8	5.5	21.5	31	14	12.5	10
57901 00 006	5	1/4	7	24.5	36.5	17	12.5	10
57901 00 007	6	M5	4	20.5	29.5	8	12.5	10
57901 00 008	6	1/8	5.5	22.5	31	14	12.5	10
57901 00 009	6	1/4	7	25	36.5	17	12.5	10
57901 00 010	8	1/8	5.5	24	31	14	14	10
57901 00 011	8	1/4	7	26	36.5	17	14	10
57901 00 016	8	3/8	7.5	28.5	42.5	20	14	10
57901 00 017	10	1/4	7	28.5	36.5	17	17	10
57901 00 012	10	3/8	7.5	30.5	42.5	20	17	10
57901 00 013	12	3/8	7.5	32.5	42.5	20	21.5	10
57901 00 014	12	1/2	9	35	47	24	21.5	10
57901 00 015	14	1/2	9	35.5	47	24	21.5	10

57910

REGOLATORE UNIDIREZIONALE ORIENTABILE PER VALVOLA "UNIVERSAL SHORT"

ORIENTING FLOW REGULATOR FOR VALVE "UNIVERSAL SHORT"
 DURCHFLOSSREGLER ZULUFTDROSSELUNG (DREHBAR) "UNIVERSAL SHORT"
 RÉGLEUR DE DÉBIT À L'ADMISSION FILETAGE (ORIENTABLE) "UNIVERSAL SHORT"
 REGULADOR UNIDIRECCIONAL ORIENTABLE PARA VÁLVULA "UNIVERSAL SHORT"
 REGULADORA UNIDIRECCIONAL ORIENTÁVEL PARA VÁLVULA ROSCA "UNIVERSAL SHORT"

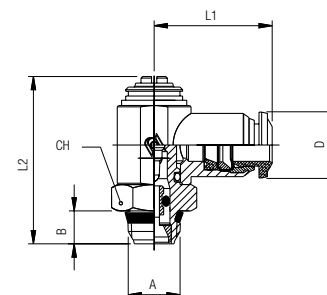


Code	Tube	A	B	L1	L2	CH	D	Pack.
57910 00 002	4	M5	4	19	29.5	8	10	10
57910 00 003	4	1/8	5.5	21	31	14	10	10
57910 00 004	5	M5	4	20	29.5	8	12.5	10
57910 00 005	5	1/8	5.5	21.5	31	14	12.5	10
57910 00 006	5	1/4	7	24.5	36.5	17	12.5	10
57910 00 007	6	M5	4	20.5	29.5	8	12.5	10
57910 00 008	6	1/8	5.5	22.5	31	14	12.5	10
57910 00 009	6	1/4	7	25	36.5	17	12.5	10
57910 00 010	8	1/8	5.5	24	31	14	14	10
57910 00 011	8	1/4	7	26	36.5	17	14	10
57910 00 016	8	3/8	7.5	28.5	42.5	20	14	10
57910 00 017	10	1/4	7	28.5	36.5	17	17	10
57910 00 012	10	3/8	7.5	30.5	42.5	20	17	10
57910 00 013	12	3/8	7.5	32.5	42.5	20	21.5	10
57910 00 014	12	1/2	9	35	47	24	21.5	10
57910 00 015	14	1/2	9	35.5	47	24	21.5	10

57920

REGOLATORE BIDIREZIONALE ORIENTABILE "UNIVERSAL SHORT"

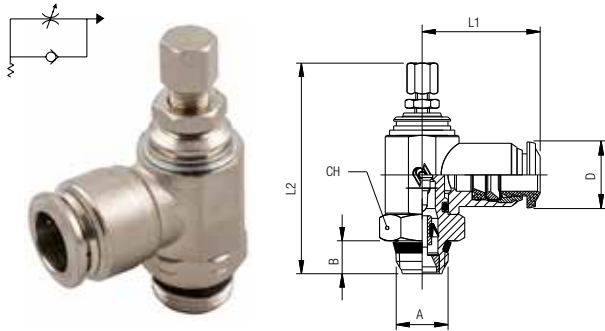
ORIENTING BI-DIRECTIONAL FLOW REGULATOR "UNIVERSAL SHORT"
 DURCHFLOSSREGLER BI-DIREKTIONAL (DREHBAR) "UNIVERSAL SHORT"
 RÉGLEUR DE DÉBIT BI-DIRECTIONNEL FILETAGE (ORIENTABLE) "UNIVERSAL SHORT"
 REGULADOR BIDIRECCIONAL ORIENTABLE "UNIVERSAL SHORT"
 REGULADORA BI-DIRECCIONAL ORIENTÁVEL ROSCA "UNIVERSAL SHORT"



Code	Tube	A	B	L1	L2	CH	D	Pack.
57920 00 002	4	M5	4	19	29.5	8	10	10
57920 00 003	4	1/8	5.5	21	31	14	10	10
57920 00 004	5	M5	4	20	29.5	8	12.5	10
57920 00 005	5	1/8	5.5	21.5	31	14	12.5	10
57920 00 006	5	1/4	7	24.5	36.5	17	12.5	10
57920 00 007	6	M5	4	20.5	29.5	8	12.5	10
57920 00 008	6	1/8	5.5	22.5	31	14	12.5	10
57920 00 009	6	1/4	7	25	36.5	17	12.5	10
57920 00 010	8	1/8	5.5	24	31	14	14	10
57920 00 011	8	1/4	7	26	36.5	17	14	10
57920 00 016	8	3/8	7.5	28.5	42.5	20	14	10
57920 00 017	10	1/4	7	28.5	36.5	17	17	10
57920 00 012	10	3/8	7.5	30.5	42.5	20	17	10
57920 00 013	12	3/8	7.5	32.5	42.5	20	21.5	10
57920 00 014	12	1/2	9	35	47	24	21.5	10
57920 00 015	14	1/2	9	35.5	47	24	21.5	10

57905

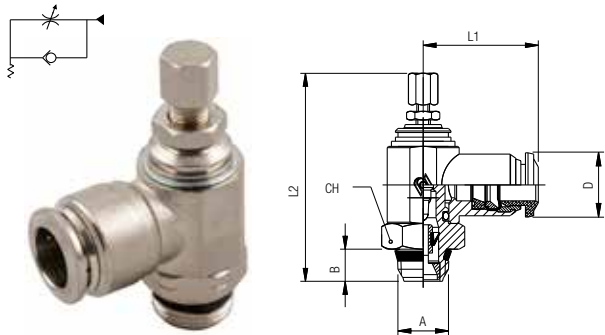
REGOLATORE UNIDIREZIONALE ORIENTABILE PER CILINDRO "UNIVERSAL SHORT"
 ORIENTING FLOW REGULATOR FOR CYLINDER "UNIVERSAL SHORT"
 DURCHFLOSSREGLER ABLUFTDROSSELUNG (DREHBAR) "UNIVERSAL SHORT"
 RÉGLEUR DE DÉBIT À L'ÉCHAPPEMENT FILETAGE (ORIENTABLE) "UNIVERSAL SHORT"
 REGULADOR UNIDIRECCIONAL ORIENTABLE PARA CILINDRO "UNIVERSAL SHORT"
 REGULADORA UNIDIRECCIONAL ORIENTÁVEL PARA CILINDRO ROSCA "UNIVERSAL SHORT"



Code	Tube	A	B	L1	L2 min	L2 max	CH	D	Pack.
57905 00 002	4	M5	4	19	39.5	43.5	8	10	10
57905 00 003	4	1/8	5.5	21	44	49	14	10	10
57905 00 004	5	M5	4	20	39.5	43.5	8	12.5	10
57905 00 005	5	1/8	5.5	21.5	44	49	14	12.5	10
57905 00 006	5	1/4	7	24.5	48.5	55	17	12.5	10
57905 00 007	6	M5	4	20.5	39.5	43.5	8	12.5	10
57905 00 008	6	1/8	5.5	22.5	44	49	14	12.5	10
57905 00 009	6	1/4	7	25	48.5	55	17	12.5	10
57905 00 010	8	1/8	5.5	24	44	49	14	14	10
57905 00 011	8	1/4	7	26	48.5	55	17	14	10
57905 00 016	8	3/8	7.5	28.5	56	65	20	14	10
57905 00 017	10	1/4	7	28.5	48.5	55	17	17	10
57905 00 012	10	3/8	7.5	30.5	56	65	20	17	10
57905 00 013	12	3/8	7.5	32.5	56	65	20	21.5	10
57905 00 014	12	1/2	9	35	62	69	24	21.5	10
57905 00 015	14	1/2	9	35.5	62	69	24	21.5	10

57915

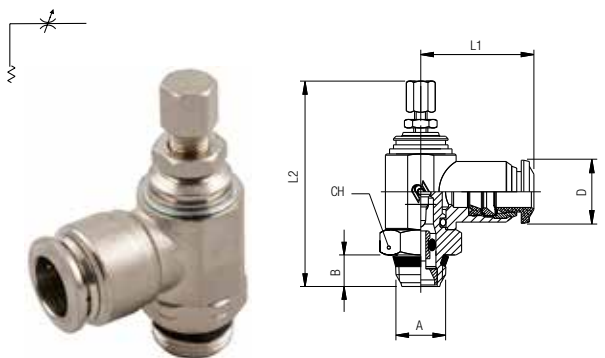
REGOLATORE UNIDIREZIONALE ORIENTABILE PER VALVOLA "UNIVERSAL SHORT"
 ORIENTING FLOW REGULATOR FOR VALVE "UNIVERSAL SHORT"
 DURCHFLOSSREGLER ZULUFTDROSSELUNG (DREHBAR) "UNIVERSAL SHORT"
 RÉGLEUR DE DÉBIT À L'ADMISSION FILETAGE (ORIENTABLE) "UNIVERSAL SHORT"
 REGULADOR UNIDIRECCIONAL ORIENTABLE PARA VÁLVULA "UNIVERSAL SHORT"
 REGULADORA UNIDIRECCIONAL ORIENTÁVEL PARA VÁLVULA ROSCA "UNIVERSAL SHORT"



Code	Tube	A	B	L1	L2 min	L2 max	CH	D	Pack.
57915 00 002	4	M5	4	19	39.5	43.5	8	10	10
57915 00 003	4	1/8	5.5	21	44	49	14	10	10
57915 00 004	5	M5	4	20	39.5	43.5	8	12.5	10
57915 00 005	5	1/8	5.5	21.5	44	49	14	12.5	10
57915 00 006	5	1/4	7	24.5	48.5	55	17	12.5	10
57915 00 007	6	M5	4	20.5	39.5	43.5	8	12.5	10
57915 00 008	6	1/8	5.5	22.5	44	49	14	12.5	10
57915 00 009	6	1/4	7	25	48.5	55	17	12.5	10
57915 00 010	8	1/8	5.5	24	44	49	14	14	10
57915 00 011	8	1/4	7	26	48.5	55	17	14	10
57915 00 016	8	3/8	7.5	28.5	56	65	20	14	10
57915 00 017	10	1/4	7	28.5	48.5	55	17	17	10
57915 00 012	10	3/8	7.5	30.5	56	65	20	17	10
57915 00 013	12	3/8	7.5	32.5	56	65	20	21.5	10
57915 00 014	12	1/2	9	35	62	69	24	21.5	10
57915 00 015	14	1/2	9	35.5	62	69	24	21.5	10

57925

REGOLATORE BIDIREZIONALE ORIENTABILE "UNIVERSAL SHORT"
 ORIENTING BI-DIRECTIONAL FLOW REGULATOR "UNIVERSAL SHORT"
 DURCHFLOSSREGLER ABLUFTDROSSELUNG (DREHBAR) "UNIVERSAL SHORT"
 RÉGLEUR DE DÉBIT BI-DIRECTIONNEL FILETAGE (ORIENTABLE) "UNIVERSAL SHORT"
 REGULADOR BIDIRECCIONAL ORIENTABLE "UNIVERSAL SHORT"
 REGULADORA BI-DIRECCIONAL ORIENTÁVEL ROSCA "UNIVERSAL SHORT"



Code	Tube	A	B	L1	L2 min	L2 max	CH	D	Pack.
57925 00 002	4	M5	4	19	39.5	43.5	8	10	10
57925 00 003	4	1/8	5.5	21	44	49	14	10	10
57925 00 004	5	M5	4	20	39.5	43.5	8	12.5	10
57925 00 005	5	1/8	5.5	21.5	44	49	14	12.5	10
57925 00 006	5	1/4	7	24.5	48.5	55	17	12.5	10
57925 00 007	6	M5	4	20.5	39.5	43.5	8	12.5	10
57925 00 008	6	1/8	5.5	22.5	44	49	14	12.5	10
57925 00 009	6	1/4	7	25	48.5	55	17	12.5	10
57925 00 010	8	1/8	5.5	24	44	49	14	14	10
57925 00 011	8	1/4	7	26	48.5	55	17	14	10
57925 00 016	8	3/8	7.5	28.5	56	65	20	14	10
57925 00 017	10	1/4	7	28.5	48.5	55	17	17	10
57925 00 012	10	3/8	7.5	30.5	56	65	20	17	10
57925 00 013	12	3/8	7.5	32.5	56	65	20	21.5	10
57925 00 014	12	1/2	9	35	62	69	24	21.5	10
57925 00 015	14	1/2	9	35.5	62	69	24	21.5	10

New

REGOLATORE DI PORTATA ORIENTABILE - CW 510L

CW 510L - ORIENTING FLOW REGULATOR
 DURCHFLOSSREGLER (DREHBAR) - CW 510L
 RÉGLEURS DE DÉBIT ORIENTABLES - CW 510L
 REGULADORES DE CAUDAL ORIENTABLES - CW 510L
 REGULADORAS DE VAZÃO ORIENTÁVELV - CW 510L



CARATTERISTICHE TECNICHE

TECHNICAL CHARACTERISTICS
 TECHNISCHE ANGABEN
 CARACTÉRISTIQUES TECHNIQUES
 CARACTERÍSTICAS TÉCNICAS
 CARACTERÍSTICAS TÉCNICAS



Norma di Riferimento

Reference Standard

Entspricht Der Norm

Conforme à La Norme

Normativa de Referencia

Norma de Referência

1907/2006
REACH ✓2011/65/CE
RoHS ✓M.O.C.A.
1935/2004
CEPED
2014/68/UESILICON
FREE

Pressioni

Pressures

Druckbereich

Pressions

Presiones

Pressões



0.1 bar (0.01 MPa)

10 bar (1 MPa)



Temperature

Temperatures

Temperatur

Températures

Temperaturas

Temperaturas

- 15 °C

+ 190 °C



Fluidi compatibili

Aria compressa / Vuoto / Acqua / Alimenti

Fluids

Compressed air / Vacuum / Water / Food

Geeignete Medien

Druckluft / Vakuum / Wasser / Lebensmittel

Fluides compatibles

Air comprimé / Vide / Eau / Boissons

Fluidos compatibles

Aire comprimido / Vacío / Agua / Alimentos

Fluidos compatíveis

Ar comprimido / Vácuo / Água / Alimentos

Materiali e Componenti

IT

- 1 Corpo in Ottone CW510L
- 2 Spillo di Regolazione in Ottone CW510L
- 3 Guarnizione O-ring FKM Alimentare

Component Parts and Materials

GB

- 1 CW510L brass body
- 2 CW510L Brass Adjusting needle
- 3 O-Ring seal in FKM Food

Komponenten und Materialien

DE

- 1 Körper Messing CW510L
- 2 Einstellnadel Messing CW510L
- 3 O-Ringdichtung FKM lebensmittelkonform

Matériaux et Composants

FR

- 1 Corps en laiton CW510L
- 2 Vis de réglage: laiton CW510L
- 3 Joint O-ring FKM qualité alimentaire

Materiales y componentes

ES

- 1 Cuerpo en latón CW510L
- 2 Tornillo de regulación en latón CW510L
- 3 Junta tórica en FKM alimentario

Materiais e Componentes

PT

- 1 Corpo em latão CW510L
- 2 Agulha de Regulagem em Latão CW510L
- 3 Vedação o-ring em FKM alimentício



Filettatura Gas cilindrica conforme ISO 228 Classe A.	IT	Threads Parallel gas in conformity with ISO 228 Class A.	GB	Gewindearten Zylindrisches Gewinde nach Norm ISO 228 Classe A.	DE
Filetages Filetage cylindrique conforme: ISO 228 Classe A.	FR	Roscas Gas cilindrica conforme ISO 228 Clase A.	ES	Roscas Gas paralela conforme ISO 228 Classe A.	PT

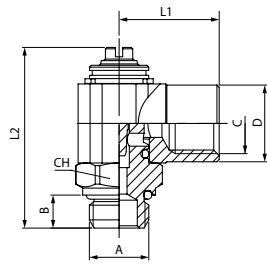
6924

REGOLATORE DI FLUSSO BIDIREZIONALE

BI-DIRECTIONAL FLOW REGULATOR
 DURCHFLUSSREGLER BI-DIREKTIONAL
 VIS RÉGLEUR DE DÉBIT BI-DIRECTIONNEL
 TORNILLO REGULADOR BIDIRECCIONAL
 REGULADORA DE VAZÃO BI-DIRECIONAL



Code	A	C	B	L1	L2	CH	D	Pack.
06924 000 02 CW	1/4	1/4	7	22	39	17	16.5	25



REGOLATORI DI PORTATA SERIE 8900

FLOW REGULATORS VALVES 8900 SERIES
 DURCHFLUSSREGLER SERIE 8900
 RÉGLEURS DE DÉBIT SÉRIE 8900
 REGULADORES DE CAUDAL SERIE 8900
 REGULADORAS DE VAZÃO SÉRIE 8900



CARATTERISTICHE TECNICHE

TECHNICAL CHARACTERISTICS
 TECHNISCHE ANGABEN
 CARACTÉRISTIQUES TECHNIQUES
 CARACTERÍSTICAS TÉCNICAS
 CARACTERÍSTICAS TÉCNICAS



Norma di Riferimento

Reference standard

Entspricht der Norm

Norme de référence

Normativa de referencia

Norma de referência

1907/2006
 REACH ✓

2011/65/CE
 RoHS ✓

PED
 2014/68/UE

SILICON
 FREE



Materiali e Componenti

IT

- 1 Corpo in Ottone nichelato
- 2 Guarnizione O-Ring in NBR
- 3 Spillo di Regolazione in Ottone nichelato
- 4 Ghiera di bloccaggio in Ottone nichelato
- 5 Pomolo di comando in ottone Nichelato
- 6 Guarnizione O-Ring in NBR
- 7 Guarnizione a labbro in NBR
- 8 Supporto guarnizione in ottone Nichelato
- 9 Rondella PA66 Art.1610

Component Parts and Materials

GB

- 1 Nickel-plated Brass Body
- 2 NBR O-RING Seals
- 3 Nickel-plated Brass Adjusting needle
- 4 Nickel-plated Brass Locking nut
- 5 Nickel-plated Brass Adjusting knob
- 6 NBR O-RING Seals
- 7 NBR Lip seal
- 8 Nickel-plated Brass Seal support
- 9 PA66 Washer Art.1610

Komponenten und Materialien

DE

- 1 Körper Messing vernickelt
- 2 O-Ring NBR
- 3 Einstellnadel Messing vernickelt
- 4 Kontermutter Messing vernickelt
- 5 Einstellknopf Messing vernickelt
- 6 O-Ring NBR
- 7 Lippendichtung NBR
- 8 Dichtungs Unterstützung Messing vernickelt
- 9 Dichtring PA66 Art.1610

Matériaux et Composants

FR

- 1 Corps: laiton nickelé
- 2 Joint torique: NBR
- 3 Vis de réglage: laiton nickelé
- 4 Ecrou de blocage: laiton nickelé
- 5 Tête de réglage: laiton nickelé
- 6 Joint torique: NBR
- 7 Joint à lèvres: NBR
- 8 Support de joint: laiton nickelé
- 9 Joint: PA66 Art.1610

Materiales y Componentes

ES

- 1 Cuerpo en latón niquelado
- 2 Junta tórica O-Ring en NBR
- 3 Tornillo de regulación en latón niquelado
- 4 Tuerca de bloqueo en latón niquelado
- 5 Pomo de mando en latón niquelado
- 6 Junta tórica O-Ring en NBR
- 7 Junta de labio en NBR
- 8 Soporte junta en latón niquelado
- 9 Arandela en nylon Art. 1610

Materiais e Componentes

PT

- 1 Corpo em Latão niquelado
- 2 Vedação O-Ring em NBR
- 3 Agulha de Regulagem em Latão niquelado
- 4 Porca de travamento em Latão niquelado
- 5 Cabeça de regulagem em Latão niquelado
- 6 Vedação O-Ring em NBR
- 7 Vedação interna em NBR
- 8 Suporte da vedação em Latão niquelado
- 9 Arruela PA66 Cód.1610



Pressioni

Pressures

Druckbereich

Pressions

Presiones

Pressões

1 bar (0.1 MPa)

10 bar (1 MPa)



Temperature

Temperatures

Temperatur

Températures

Temperaturas

Temperaturas

- 20 °C

+ 80 °C



Fluidi compatibili

Aria compressa

Fluids

Compressed air

Geeignete Medien

Druckluft

Fluides compatibles

Air comprimé

Fluidos compatibles

Aire comprimido

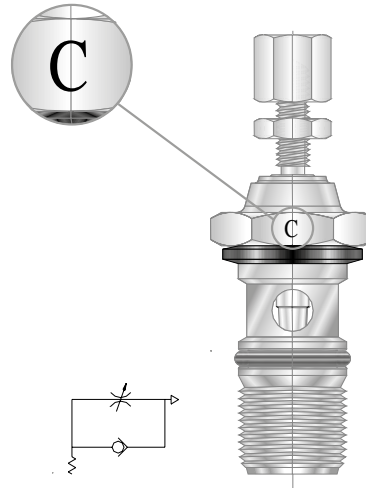
Fluidos compatíveis

Ar comprimido



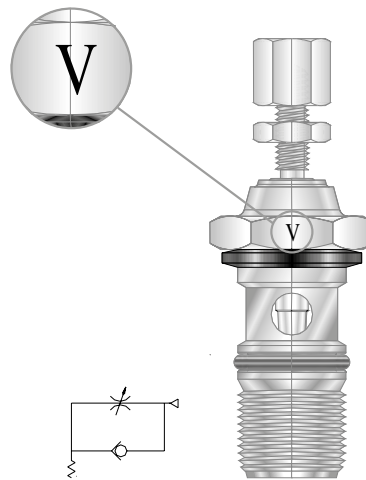
Filettatura Gas cilindrica conforme ISO 228 Classe A.	IT	Threads Parallel gas in conformity with ISO 228 Class A.	GB	Gewindearten Zylindrisches Gewinde nach Norm ISO 228 Classe A.	DE
Filetages Filetage cylindrique conforme ISO 228 Class A.	FR	Roscas Gas cilíndrica conforme ISO 228 Clase A.	ES	Roscas Gas paralela conforme ISO 228 Classe A.	PT

- C** **UNIDIREZIONALE PER CILINDRO**
- UNI-DIRECTIONAL FOR CYLINDER
 - DROSSELUNG FÜR ZYLINDER (ABLUF)
 - UNIDIRECTIONNEL À L'ÉCHAPPEMENT
 - UNIDIRECCIONAL PARA CILINDRO
 - UNIDIRECCIONAL PARA CILINDRO



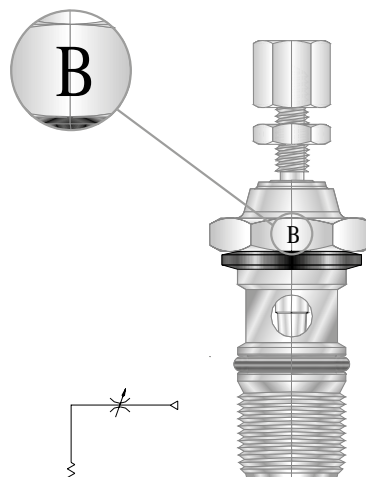
CODE:
8900 - 8905

- V** **UNIDIREZIONALE PER VAVOLA**
- UNI-DIRECTIONAL FOR VALVE
 - DROSSELUNG FÜR ZYLINDER (ZULUF)
 - UNIDIRECTIONNEL À L'ADMISSION
 - UNIDIRECCIONAL PARA VÁLVULA
 - UNIDIRECCIONAL PARA VÁLVULA



CODE:
8910 - 8915

- B** **BIDIREZIONALE**
- BI-DIRECTIONAL
 - BI-DIRECCIONAL (OHNE RÜCKSCHLAG)
 - BI-DIRECTIONNEL
 - BIDIRECCIONAL
 - BI-DIRECCIONAL



CODE:
8920 - 8925

8900**REGOLATORE DI FLUSSO UNIDIREZIONALE PER CILINDRO**

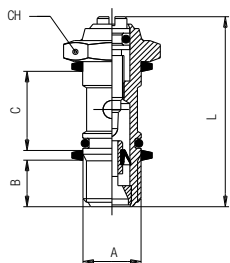
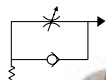
FLOW REGULATOR FOR CYLINDER

DURCHFLUSSREGLER ABLUFTDROSSELUNG

VIS RÉGLEUR DE DÉBIT À L'ÉCHAPPEMENT

TORNILLO REGULADOR UNIDIRECCIONAL PARA CILINDRO

REGULADORA DE VAZÃO UNIDIRECCIONAL PARA CILINDRO



Code	A	B	C	L	CH	Pack.
08900 00 001	M5	4	12.5	24	8	10
08900 00 002	1/8	5.5	15	30.5	14	10
08900 00 003	1/4	8.5	17	35.5	17	10
08900 00 004	3/8	9	20	41	20	10
08900 00 005	1/2	10	24	47	24	10

8910**REGOLATORE DI FLUSSO UNIDIREZIONALE PER VALVOLA**

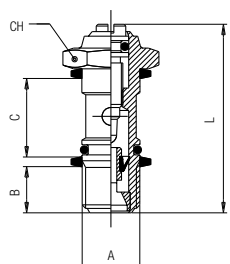
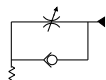
FLOW REGULATOR FOR VALVE

DURCHFLUSSREGLER ZULUFTDROSSELUNG

VIS RÉGLEUR DE DÉBIT À L'ADMISSION

TORNILLO REGULADOR UNIDIRECCIONAL PARA VÁLVULA

REGULADORA DE VAZÃO UNIDIRECCIONAL PARA VÁLVULA



Code	A	B	C	L	CH	Pack.
08910 00 001	M5	4	12.5	24	8	10
08910 00 002	1/8	5.5	15	30.5	14	10
08910 00 003	1/4	8.5	17	35.5	17	10
08910 00 004	3/8	9	20	41	20	10
08910 00 005	1/2	10	24	47	24	10

8920**REGOLATORE DI FLUSSO BIDIREZIONALE**

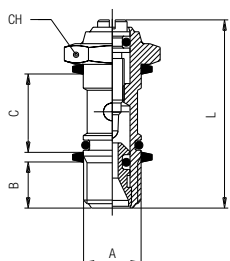
BI-DIRECTIONAL FLOW REGULATOR

DURCHFLUSSREGLER BI-DIREKTIONAL

VIS RÉGLEUR DE DÉBIT BI-DIRECTIONNEL

TORNILLO REGULADOR BIDIRECCIONAL

REGULADORA DE VAZÃO BI-DIRECCIONAL



Code	A	B	C	L	CH	Pack.
08920 00 001	M5	4	12.5	24	8	10
08920 00 002	1/8	5.5	15	30.5	14	10
08920 00 003	1/4	8.5	17	35.5	17	10
08920 00 004	3/8	9	20	41	20	10
08920 00 005	1/2	10	24	47	24	10

8905

REGOLATORE DI FLUSSO UNIDIREZIONALE PER CILINDRO

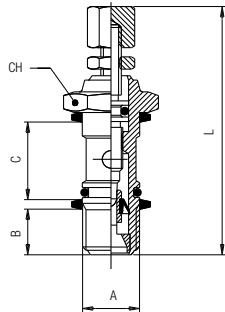
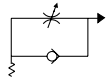
FLOW REGULATOR FOR CYLINDER

DURCHFLUSSREGLER ABLUFTDROSSELUNG

VIS RÉGLEUR DE DÉBIT À L'ÉCHAPPEMENT

TORNILLO REGULADOR UNIDIRECCIONAL PARA CILINDRO

REGULADORA DE VAZÃO UNIDIRECIONAL PARA CILINDRO



Code	A	B	C	L min	L max	CH	Pack.
08905 00 001	M5	4	12.5	33	37.5	8	10
08905 00 002	1/8	5.5	15	41	46.5	14	10
08905 00 003	1/4	8.5	17	46.5	52.5	17	10
08905 00 004	3/8	9	20	56.5	63.5	20	10
08905 00 005	1/2	10	24	62	69.5	24	10



8915

REGOLATORE DI FLUSSO UNIDIREZIONALE PER VALVOLA

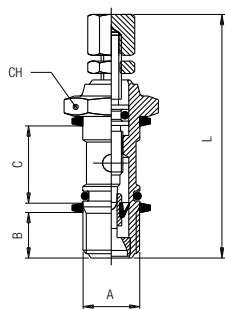
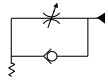
FLOW REGULATOR FOR VALVE

DURCHFLUSSREGLER ZULUFTDROSSELUNG

VIS RÉGLEUR DE DÉBIT À L'ADMISSION

TORNILLO REGULADOR UNIDIRECCIONAL PARA VÁLVULA

REGULADORA DE VAZÃO UNIDIRECCIONAL PARA VÁLVULA



Code	A	B	C	L min	L max	CH	Pack.
08915 00 001	M5	4	12.5	33	37.5	8	10
08915 00 002	1/8	5.5	15	41	46.5	14	10
08915 00 003	1/4	8.5	17	46.5	52.5	17	10
08915 00 004	3/8	9	20	56.5	63.5	20	10
08915 00 005	1/2	10	24	62	69.5	24	10



8925

REGOLATORE DI FLUSSO BIDIREZIONALE

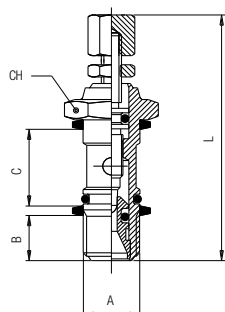
BI-DIRECTIONAL FLOW REGULATOR

DURCHFLUSSREGLER BI-DIREKTIONAL

VIS RÉGLEUR DE DÉBIT BI-DIRECTIONNEL

TORNILLO REGULADOR BIDIRECCIONAL

REGULADORA DE VAZÃO BI-DIRECCIONAL



Code	A	B	C	L min	L max	CH	Pack.
08925 00 001	M5	4	12.5	33	37.5	8	10
08925 00 002	1/8	5.5	15	41	46.5	14	10
08925 00 003	1/4	8.5	17	46.5	52.5	17	10
08925 00 004	3/8	9	20	56.5	63.5	20	10
08925 00 005	1/2	10	24	62	69.5	24	10





Montaggio

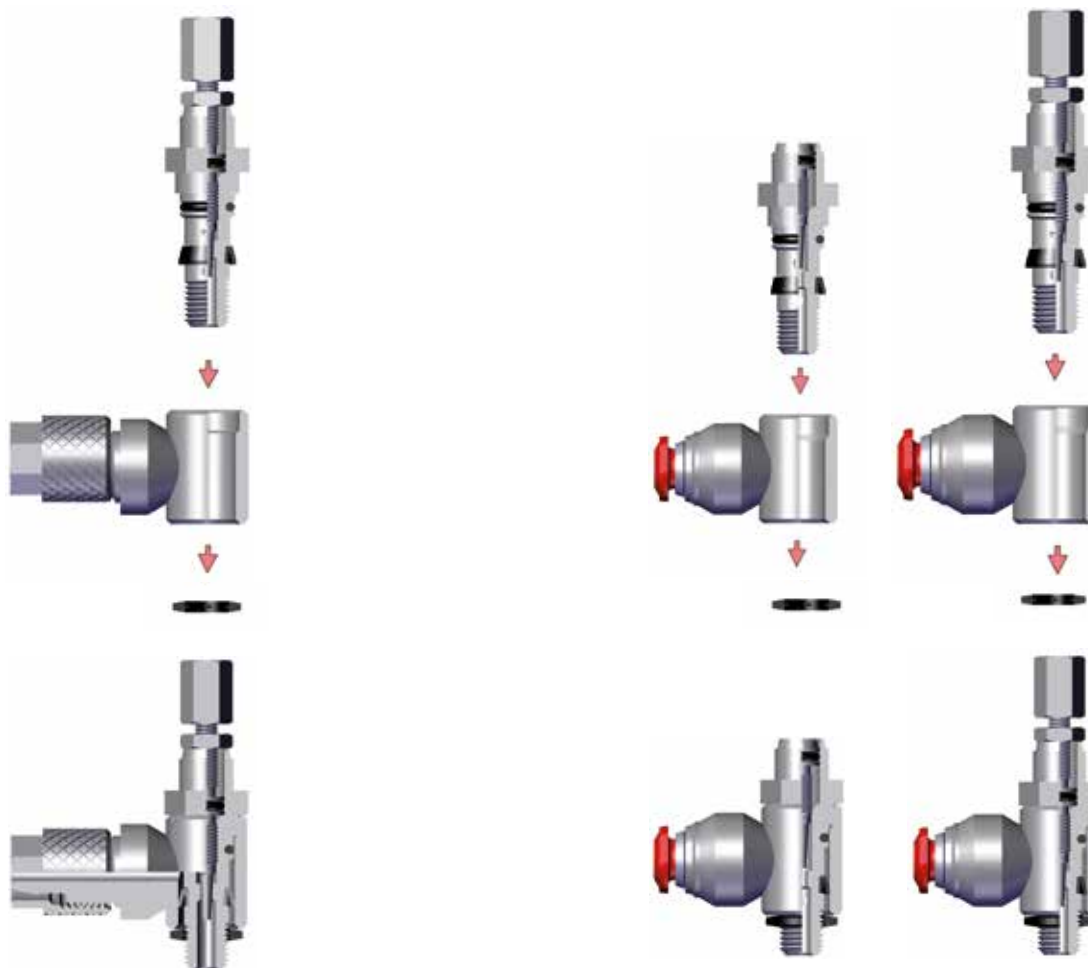
Assembling

Montageanleitung

Assemblage

Montaje

Montagem



IT

Nelle tabelle che seguono riportiamo le misure di raccordi ad occhiello che possono essere montati con i regolatori serie 8900.
Le misure dell'art. 1500 sono state estrapolate dalla tabella dell'articolo stesso. Gli art. 50505 e 57505 sono invece raccordi prodotti appositamente per questa serie di regolatori di flusso da M5.

ATTENZIONE: I Regolatori di portata da M5 devono essere accoppiati con i raccordi orientabili da M6.

Durante l'inserimento del regolatore nell'occhiello prestare attenzione a non rivoltare il labbro della guarnizione.

GB

In the following tables specify the sizes of the single banjo bodies which can be assembled with 8900 Series regulators.

The sizes the art. 1500 have been taken from the standard single banjo bodies table. Art. 50505 and 57505 are special single banjo bodies produced suitably for the of flow regulators M5 range.

ATTENTION: The Flow Regulators size M5 must be assembled with orienting fittings size M6.

When you assemble the flow regulator into the banjo body, please be careful not damage the seal.

DE

In den folgenden Tabellen spezifizieren wir die Abmessungen der einfachen Ringanschlüsse, welche mit den 8900 Drosseln montiert werden können.

Die Abmessungen vom Artikel 1500 wurden der Tabelle des einfachen Standard-Ringanschlusses entnommen. Die Ringanschlüsse der Serie 50505 wurden speziell für das Sortiment der M5 Drosseln angefertigt.

ACHTUNG: Die Durchflussregler mit M5 müssen mit den Hohlsschrauben für M6 montiert werden.

Bei der Montage des Durchflussreglers in die Hohlsschraube ist darauf zu achten, dass die Lipdichtung nicht verletzt oder umgedreht wird.

FR

Les tableaux ci-dessous indiquent les dimensions des corps banjo simples, qui peuvent être assemblés avec les régleurs de débit 8900.

Les articles 1500 correspondent aux dimensions du corps standards. Les corps banjo de la série 50505 ont été spécialement conçus pour être assemblés sur les régleurs de débit M5.

ATTENTION: Les régleurs de débit M5 doivent être assemblés avec un corps banjo pour une vis de M6.

Lors de l'assemblage du RÉGLEUR de débit dans le corps du banjo, veuillez faire attention de ne pas blesser ou retourner le joint à lèvre.

ES

En las tablas que siguen a continuación se especifican las medidas de los racores orientables que pueden ser montados con los reguladores 8900.

Las medidas del artículo 1500 han sido extrapoladas de la tabla del mismo artículo. El artículo 50505 es un artículo especial producido a propósito para esta serie de reguladores de flujo de M5.

ATENCIÓN: Los reguladores de flujo de M5 deben ser acoplados con los racores orientables de M6.

Durante la inserción del regulador en el anillo orientable prestar atención a no girar el labio de la junta.

PT

Nas tabelas que seguem apresentamos os tamanhos de conexões orientáveis que podem ser montados com os reguladores 8900.

Os tamanhos da série de cód. 1500 são os mesmos das tabelas referentes aos banjos padrão.

Os cód. 50505 e 57505 são por sua vez itens produzidos especialmente para esta série de reguladoras de vazão de tamanho M5.

ATENÇÃO: Os reguladoras de vazão M5 devem ser acoplados com as conexões orientáveis de tamanho M6.

Durante a inserção do reguladora no haste do banjo tenha cuidado para não danificar o lábio da vedação.

1500

ANELLO ORIENTABILE A L (PER REGOLATORI DI PORTATA M5)

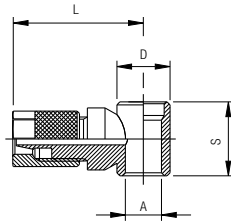
SINGLE BANJO BODY (ADJUSTABLE RESTRICTOR VALVES M5)

RINGANSCHLUSS (FÜR DURCHFLUSSREGLER M5)

CORPS BANJO SIMPLE (POUR RÉGLEUR DE DÉBIT M5)

ANILLO ORIENTABLE SIMPLE (PARA REGULADOR DE CAUDAL M5)

ANEL ORIENTÁVEL EM "L" (PARA REGULADORAS DE VAZÃO M5)



Code	Tube	A	D	S	L	Pack.
01500 00 002	4/2.7	M6	9	12.5	21.5	10
01500 00 007	6/4	M6	9	12.5	21.5	10

Questo articolo è prodotto appositamente per regolatori di portata da M5.

This article has been produced suitably for the Adjustable Restrictor valves M5.

Dieser Artikel ist speziell für den Durchflussregler mit M5 hergestellt.

Ces articles sont fabriqués spécialement pour les régulateurs M5.

Este artículo se produce a propósito para los reguladores de flujo de M5.

Este item é produzido especialmente para utilização nas válvulas de tamanho M5.

1500

ANELLO ORIENTABILE A L

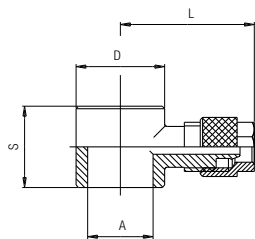
SINGLE BANJO BODY

RINGANSCHLUSS

CORPS BANJO SIMPLE

ANILLO ORIENTABLE SIMPLE

ANEL ORIENTÁVEL EM "L"



Code	Tube	A	D	S	L	Pack.
01500 00 003	4/2.7	1/8	14	15	22.5	10
01500 00 005	5/3	1/8	14	15	22.5	10
01500 00 008	6/4	1/8	14	15	23	10
01500 00 009	6/4	1/4	18	17	25	10
01500 00 010	6/4	3/8	21	20	27	10
01500 00 011	8/6	1/8	14	15	24.5	10
01500 00 012	8/6	1/4	18	17	26	10
01500 00 013	8/6	3/8	21	20	27	10
01500 00 014	8/6	1/2	26	24	31	10
01500 00 015	10/8	1/8	14	15	27.5	10
01500 00 016	10/8	1/4	18	17	27.5	10
01500 00 017	10/8	3/8	21	20	30.5	10
01500 00 018	10/8	1/2	26	24	34	10
01500 00 019	12/10	3/8	21	20	31.5	10
01500 00 020	12/10	1/2	26	24	35	10
01500 00 021	15/12.5	1/2	26	24	36.5	10

50505

ANELLO ORIENTABILE A L (PER REGOLATORI DI PORTATA M5)

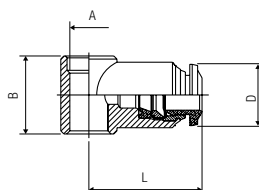
SINGLE BANJO BODY (ADJUSTABLE RESTRICTOR VALVES M5)

RINGANSCHLUSS (FÜR DURCHFLUSSREGLER M5)

CORPS BANJO SIMPLE (POUR RÉGLEUR DE DÉBIT M5)

ANILLO ORIENTABLE SIMPLE (PARA REGULADOR DE CAUDAL DE M5)

ANEL ORIENTÁVEL EM "L" (PARA REGULADORAS DE VAZÃO M5)



Code	Tube	A	B	L	D	Pack.
50505 00 005	3	M6	12.5	19	10	10
50505 00 001	4	M6	12.5	19	10	10
50505 00 003	5	M6	12.5	20	12.5	10
50505 00 004	6	M6	12.5	20.5	12.5	10

Questo articolo è prodotto appositamente per regolatori di portata da M5.

This article has been produced suitably for the adjustable restrictor valves M5.

Dieser Artikel ist speziell für den Durchflussregler mit M5 hergestellt.

Ces articles sont fabriqués spécialement pour les régulateurs M5.

Este artículo se produce a propósito para los reguladores de flujo de M5.

Este item é produzido especialmente para utilização nas válvulas de tamanho M5.

50500

ANELLO ORIENTABILE A L

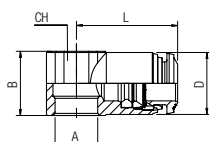
SINGLE BANJO BODY

RINGANSCHLUSS

CORPS BANJO SIMPLE

ANILLO ORIENTABLE SIMPLE

ANEL ORIENTÁVEL EM "L"

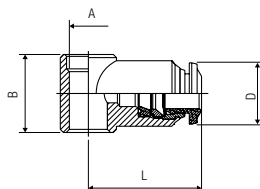


Code	Tube	A	B	L	CH	D	Pack.
50500 00 003	4	1/8	15	21	14	10	10
50500 00 014	5	1/8	15	21.5	14	12.5	10
50500 00 015	5	1/4	17	24.5	18	12.5	10
50500 00 004	6	1/8	15	22	14	12.5	10
50500 00 005	6	1/4	17	25	18	12.5	10
50500 00 006	8	1/8	15	24	14	14	10
50500 00 007	8	1/4	17	26	18	14	10
50500 00 008	8	3/8	20	28	21	14	10
50500 00 009	10	1/4	17	29	18	17	10
50500 00 010	10	3/8	20	30.5	21	17	10
50500 00 012	12	3/8	20	32.5	21	21.5	10
50500 00 021	12	1/2	24	35	25	21.5	10
50500 00 022	14	1/2	24	35.5	25	21.5	10

57505

ANELLO ORIENTABILE A L (PER REGOLATORI DI PORTATA M5)

SINGLE BANJO BODY (ADJUSTABLE RESTRICTOR VALVES M5)
 RINGANSCHLUSS (FÜR DURCHFLUSSREGLER M5)
 CORPS BANJO SIMPLE (POUR RÉGLEUR DE DÉBIT M5)
 ANILLO ORIENTABLE SIMPLE (PARA REGULADOR DE CAUDAL DE M5)
 ANEL ORIENTÁVEL EM "L" (PARA REGULADORAS DE VAZÃO M5)



Code	Tube	A	B	L	D	Pack.
*57505 00 001	4 (5/32)	M6	12.5	18.5	10.5	10
57505 00 003	5	M6	12.5	20	12.5	10
57505 00 004	6	M6	12.5	21.5	12.5	10

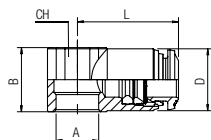
Questo articolo è prodotto appositamente per regolatori di portata da M5.
 This article has been produced suitably for the adjustable restrictor valves M5.
 Dieser Artikel ist speziell für den Durchflussregler mit M5 hergestellt.
 Ces articles sont fabriqués spécialement pour les régleurs M5.
 Este artículo se produce a propósito para los reguladores de flujo de M5.
 Este item é produzido especialmente para utilização nas válvulas de tamanho M5.

- * Articolo in comune con serie 89000.
- * Item in common with series 89000.
- * Gegenstände gemeinsam mit Serie 89000.
- * Pour les produits en commun avec la série 89000.
- * Artículos en común con la serie 89000.
- * Código em comum com a série 89000.

57500

ANELLO ORIENTABILE A L

SINGLE BANJO BODY
 RINGANSCHLUSS
 CORPS BANJO SIMPLE
 ANILLO ORIENTABLE SIMPLE
 ANEL ORIENTÁVEL EM "L"

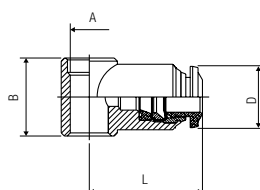


Code	Tube	A	B	L	CH	D	Pack.
57500 00 003	4	1/8	15	21	14	10	10
57500 00 014	5	1/8	15	21.5	14	12.5	10
57500 00 015	5	1/4	17	24.5	18	12.5	10
57500 00 004	6	1/8	15	22	14	12.5	10
57500 00 005	6	1/4	17	25	18	12.5	10
57500 00 006	8	1/8	15	24	14	14	10
57500 00 007	8	1/4	17	26	18	14	10
57500 00 008	8	3/8	20	28	21	14	10
57500 00 009	10	1/4	17	29	18	17	10
57500 00 010	10	3/8	20	30.5	21	17	10
57500 00 012	12	3/8	20	32.5	21	21.5	10
57500 00 021	12	1/2	24	35	25	21.5	10
57500 00 022	14	1/2	24	35.5	25	21.5	10

89505

ANELLO ORIENTABILE A L (PER REGOLATORI DI PORTATA M5)

SINGLE BANJO BODY (ADJUSTABLE RESTRICTOR VALVES M5)
 RINGANSCHLUSS (FÜR DURCHFLUSSREGLER M5)
 CORPS BANJO SIMPLE (POUR RÉGLEUR DE DÉBIT M5)
 ANILLO ORIENTABLE SIMPLE (PARA REGULADOR DE CAUDAL DE M5)
 ANEL ORIENTÁVEL EM "L" (PARA REGULADORAS DE VAZÃO M5)



Code	Tube	A	B	L	D	Pack.
*57505 00 001	5/32 (4)	M6	12.5	18.5	10.5	10
89505 00 001	1/8	M6	12.5	16.5	10.5	10
89505 00 003	1/4	M6	12.5	21.5	12.5	10

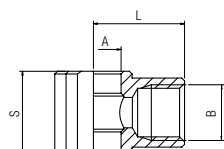
Questo articolo è prodotto appositamente per Regolatori di Portata da M5.
 This article has been produced suitably for the Adjustable Restrictor valves M5.
 Dieser Artikel ist speziell für den Durchflussregler mit M5 hergestellt.
 Ces articles sont fabriqués spécialement pour les régleurs M5.
 Este artículo se produce a propósito para los reguladores de flujo de M5.
 Este item é produzido especialmente para utilização nas válvulas de tamanho M5.

- * Articolo in comune con serie 57000.
- * Item in common with series 57000.
- * Gegenstände gemeinsam mit Serie 57000.
- * Pour les produits en commun avec la série 57000.
- * Artículos en común con la serie 57000.
- * Código em comum com a série 57000.

6090

ANELLO ORIENTABILE A L FEMMINA

FEMALE SINGLE BANJO BODY
 RINGANSCHLUSS INNENGEW
 CORPS BANJO TARAUDE
 ANILLO ORIENTABLE HEMBRA
 ANEL ORIENTÁVEL EM "L" COM ROSCA FÊMEA



Code	B	A	L	S	Pack.
06090 00 01 02 NB	1/8	10	16.5	15	10
06090 00 01 03 NB	1/4	13	22	17	10
06090 00 01 04 NB	3/8	16.7	26	20	10



CARATTERISTICHE DI FLUSSO REGOLATORI DI PORTATA UNIDIREZIONALI E BIDIREZIONALI

FLOW CHARACTERISTICS ADJUSTABLE RESTRICTOR VALVES UNI-DIRECTIONALS AND BI-DIRECTIONALS

DURCHFLOSSWERTE DER REGLER MIT- ODER OHNE RÜCKSCHLAG

CARACTÉRISTIQUES DES DÉBITS POUR LES RÉGLEURS DE DÉBIT UNI ET BI-DIRECTIONNEL

CARACTERÍSTICAS DE FLUJO REGULADORES DE CAUDAL UNIDIRECCIONALES Y BIDIRECCIONALES

CARACTERÍSTICAS DE VAZÃO REGULADORAS DE VAZÃO UNIDIRECCIONAIS E BI-DIRECCIONAIS

IT

Riportiamo in questa pagina le caratteristiche di flusso dei regolatori per una corretta scelta della misura che più si adatta ad ogni specifico impiego.

GB

In this page you can find the flow characteristics of the regulators, which will help you to choose the most suitable size to satisfy every specific use.

DE

Auf dieser Seite sind die Durchflusswerte der Regler angegeben, damit für die gewünschte Anwendung der richtige Regler eingesetzt werden kann.

FR

Caractéristiques des débits des régleurs afin de déterminer la taille la plus appropriée pour satisfaire chaque utilisation.

ES

Encontramos en esta página las características de flujo de los reguladores para una correcta elección de la medida que más se adapte a cada uso específico.

PT

Nesta página são mostradas as características de vazão das reguladoras para uma correta escolha do tamanho que mais se adapta a cada aplicação específica.

NI/min

Portata d'aria Q a 0° C e 1013 mbar

Air rate Q at 0°C and 1013 mbar

Luftdurchlass Q bei 0° C und 1013 mbar

Débit d'air Q à 0°C et 1013 mbar

Caudal de Aire Q 0° C y 1013 mbar

Vazão de ar Q 0° C e 1013 mbar

N°

Numero giri spillo di regolazione

Number of turns of the adjusting needle

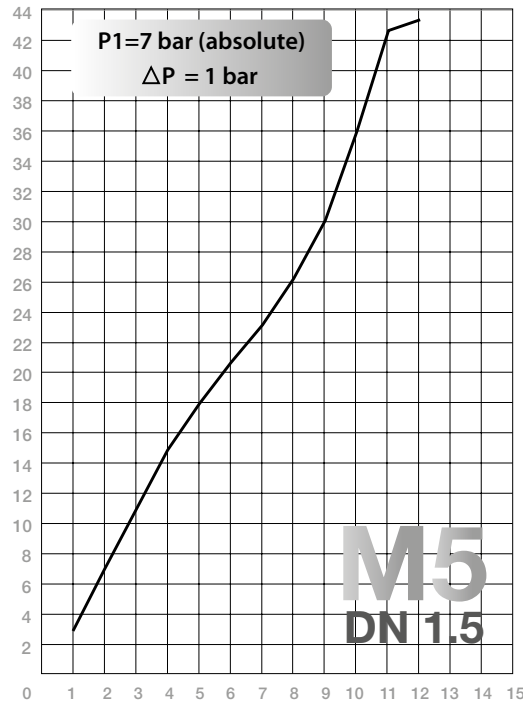
Umdrehungen an der Einstellnadel

Nombre de tours de réglage

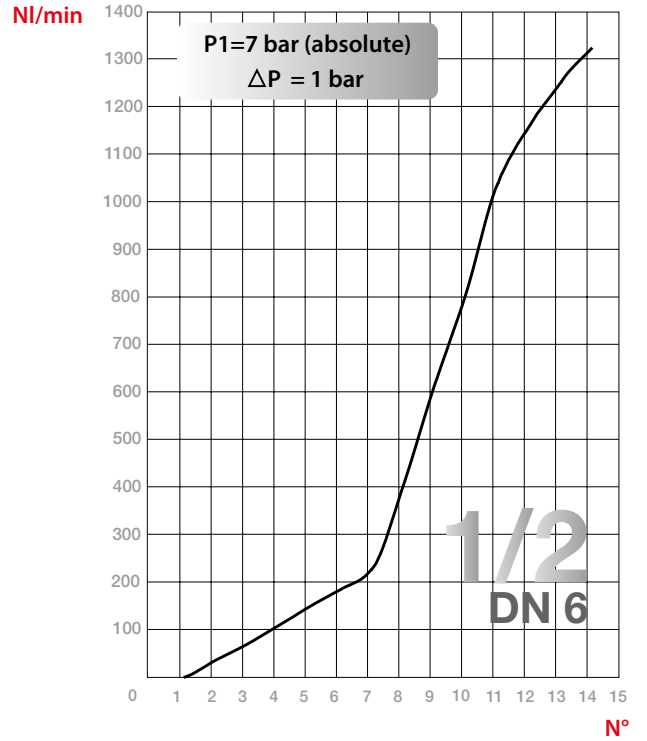
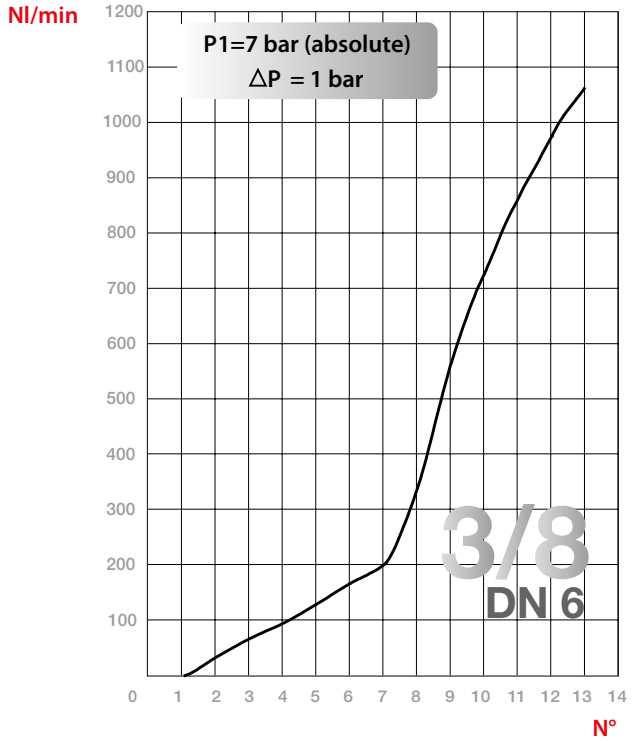
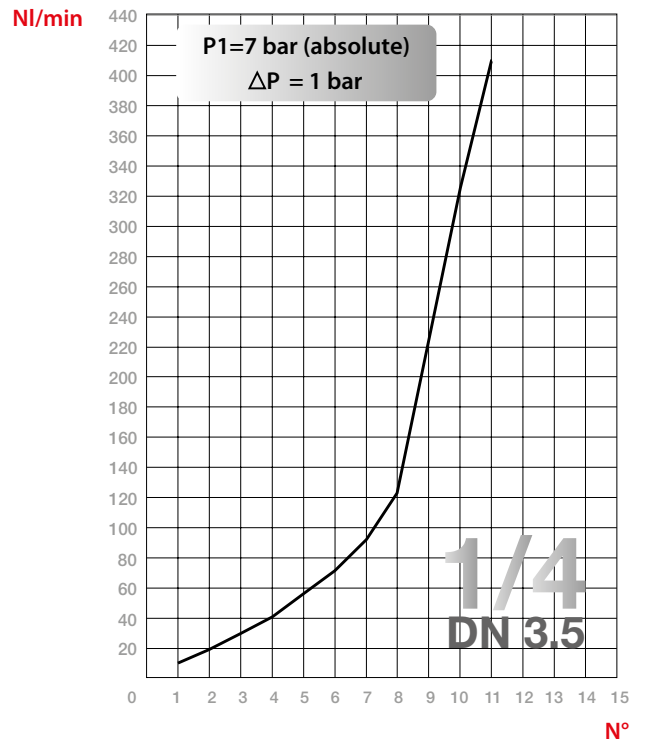
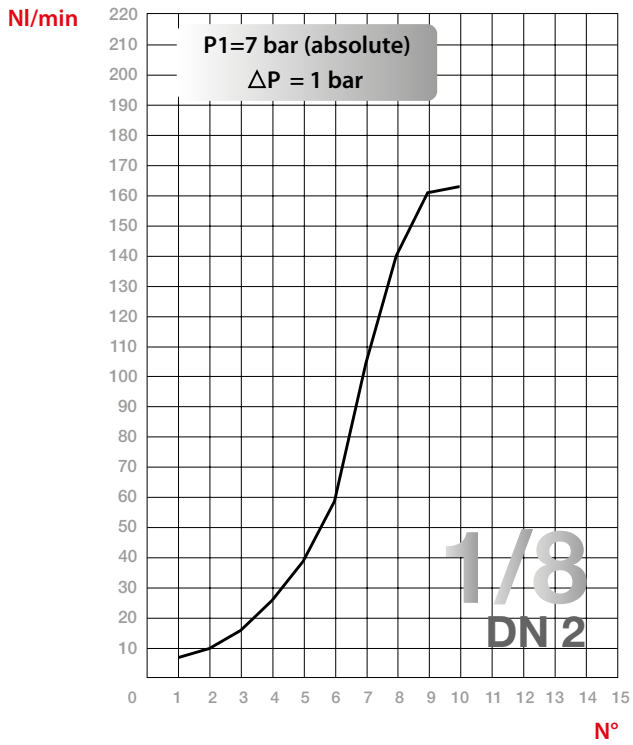
Número de giros tornillo regulador

Número de voltas do parafuso de regulagem

NI/min



N°



REGOLATORI DI PORTATA IN LINEA

IN LINE ADJUSTABLE RESTRICTOR VALVES
 DURCHFLOSSREGLER FÜR LEITUNGSEINBAU
 RÉGLEURS DE DÉBIT EN LIGNE
 REGULADORES DE FLUJO EN LINEA
 REGULADORAS DE VAZÃO EM LINHA



CARATTERISTICHE TECNICHE

TECHNICAL CHARACTERISTICS
 TECHNISCHE ANGABEN
 CARACTÉRISTIQUES TECHNIQUES
 CARACTERÍSTICAS TÉCNICAS
 CARACTERÍSTICAS TÉCNICAS



Norma di Riferimento

Reference standard

Entspricht der Norm

Norme de référence

Normativa de referencia

Norma de referência



1907/2006
 REACH



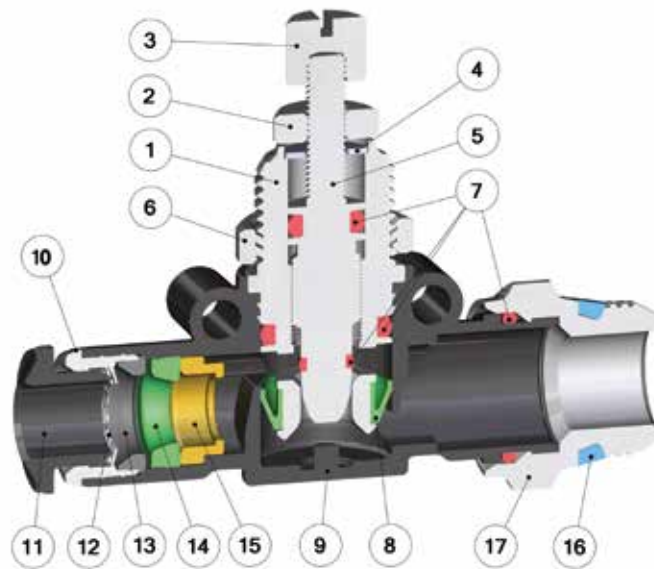
2011/65/CE
 RoHS



PED
 2014/68/UE



SILICON
 FREE



Materiali e Componenti

IT

- 1 Nipplo in Ottone Nichelato
- 2 Ghiera di Bloccaggio in Ottone Nichelato
- 3 Pomolo di comando in Ottone Nichelato
- 4 Rondella in acciaio AISI 304
- 5 Spillo di regolazione in Ottone Nichelato
- 6 Ghiera in ottone nichelato
- 7 Guarnizione O-Ring in NBR
- 8 Guarnizione a labbro in NBR
- 9 Corpo in tecnopolimero
- 10 Capsula in ottone nichelato
- 11 Spintore sgancio tubo in resina acetatica
- 12 Pinza d'aggraffaggio in acciaio AISI 301
- 13 Anello di sicurezza in tecnopolimero
- 14 Guarnizione sagomata in NBR
- 15 Supporto guida tubo in ottone
- 16 Guarnizione filetto in NBR
- 17 Basetta in ottone nichelato

Component Parts and Materials

GB

- 1 Nickel-Plated Brass Nipple
- 2 Nickel-Plated Brass Locking nut
- 3 Nickel-Plated Brass Adjusting Knob
- 4 Steel AISI 304 Washer
- 5 Nickel-Plated Brass Adjusting needle
- 6 Nickel-plated brass sleeve
- 7 NBR O-Ring seal
- 8 NBR Lip seal
- 9 Technopolymeric Body
- 10 Nickel-Plated Brass Capsule
- 11 Acetalic resin Collet
- 12 Steel AISI 301 Clamping Washer
- 13 Technopolymeric safety Ring
- 14 NBR molded seal
- 15 Brass Tube-guide Support
- 16 NBR Thread Packing
- 17 Nickel-Plated Brass Base

Komponenten und Materialien

DE

- 1 Gewindestutzen Messing vernickelt
- 2 Sicherungs-Kontermutter Messing vernickelt
- 3 Einstellknopf Messing vernickelt
- 4 Scheibe Edelstahl AISI 304
- 5 Einstellnadel Messing vernickelt
- 6 Kontermutter Messing vernickelt
- 7 O-Ring NBR
- 8 Lippendichtung NBR
- 9 Körper Technopolymer
- 10 Haltering Messing vernickelt
- 11 Rohr Lösering Acetal
- 12 Zahnscheibe Edelstahl AISI 301
- 13 Sicherungsring Technopolymer
- 14 Lippendichtung NBR
- 15 Rohr Führungshülse Messing
- 16 Gewindedichtung NBR
- 17 Einschraubkörper Messing vernickelt

Matériaux et Composants

FR

- 1 Corps fileté: laiton nickelé
- 2 Contre écrou de blocage: laiton nickelé
- 3 Bouton de réglage: laiton nickelé
- 4 Rondelle: acier inoxydable AISI 304
- 5 Vis de réglage: laiton nickelé
- 6 Contre écrou: laiton nickelé
- 7 Joint torique: NBR
- 8 Joint à lèvres: NBR
- 9 Corps: technopolymère
- 10 Capsule de retenue: laiton nickelé
- 11 Pousoir: résine acétal
- 12 Rondelle d'accrochage: AISI 301
- 13 Anneau de sécurité: Technopolymère
- 14 Joint à lèvres: NBR
- 15 Douille de guidage du tube: laiton
- 16 Joint d'étanchéité du filetage: NBR
- 17 Corps fileté: laiton nickelé

Materiales y Componentes

ES

- 1 Manguito de unión en latón niquelado
- 2 Tuerca de bloqueo en latón niquelado
- 3 Pomo de mando en latón niquelado
- 4 Arandela en acero AISI 304
- 5 Tornillo de regulación en latón niquelado
- 6 Tuerca en latón niquelado
- 7 Junta tórica O-Ring en NBR
- 8 Junta de labio en NBR
- 9 Cuerpo en tecnopolimero
- 10 Cápsula en latón niquelado
- 11 Anillo de extracción tubo en resina acetálica
- 12 Pinza de sujeción en acero AISI 301
- 13 Anillo de seguridad en tecnopolimero
- 14 Junta de forma en NBR
- 15 Soporte guía tubo en latón
- 16 Junta de forma en NBR
- 17 Base en latón niquelado

Materiais e Componentes

PT

- 1 Niple em Latão Niquelado
- 2 Porca de Travamento em Latão Niquelado
- 3 Cabeça de Regulagem em Latão Niquelado
- 4 Arruela em aço AISI 304
- 5 Agulha de regulagem em Latão Niquelado
- 6 Poca em Latão Niquelado
- 7 Vedação O-Ring em NBR
- 8 Vedação em NBR
- 9 Corpo em tecnopolimero
- 10 Cápsula em Latão Niquelado
- 11 Anilha em resina acetálica
- 12 Pinça de travamento em aço AISI 301
- 13 Anel de segurança em tecnopolimero
- 14 Vedação em NBR
- 15 Suporte guia tubo em Latão
- 16 Vedação em NBR
- 17 Base em Latão niquelado



Pressioni

Pressures

Druckbereich

Pressions

Presiones

Pressões

1 bar (0.1 MPa)

10 bar (1 MPa)



Temperature

Temperatures

Temperatur

Températures

Temperaturas

Temperaturas

- 20 °C

+ 80 °C



Fluidi compatibili

Aria compressa

Fluids

Compressed air

Geeignete Medien

Druckluft

Fluides compatibles

Air comprimé

Fluidos compatibles

Aire comprimido

Fluidos compatíveis

Ar comprimido



Tubi di Collegamento

IT

Tubi in materiale plastico:

PA6, PA11, PA12, Polietilene, *Poliuretano, PTFE, FEP.

*Per tubi in Poliuretano é consigliata una durezza di 98 shore.

Connection Tubes

GB

Plastic tubes:

PA6, PA11, PA12, Polyethylene, *Polyurethane, PTFE, FEP.

*For Polyurethane hoses it is required a minimum hardness of 98 shore.

Geeignete Rohre

DE

Kunststoffrohre:

PA6, PA11, PA 12, Polyethylene, *Polyurethan, PTFE, FEP.

*Für Polyurethan Rohre ist eine Härte von 98 Shore empfohlen.

Tubes Conseillés

FR

Tubes plastiques:

PA6, PA11, PA12, Polyéthylène, *Polyuréthane, PTFE, FEP.

*Pour les tubes en polyuréthane, il est conseillé une dureté de 98 Shore.

Tubos de Conexión

ES

Tubos en material plástico:

PA6, PA11, PA 12, Polietileno, *Poliuretano, PTFE, FEP.

*Para tubos en poliuretano es aconsejada una durezza de 98 shore.

Tubos de Conexão

PT

Tubos em material plástico:

PA6, PA11, PA12, Polietileno, *Poliuretano, PTFE, FEP.

*Para tubos em Poliuretano é requerida uma durezza de 98 shore.



Filettatura

IT

Gas conica "UNIVERSAL SHORT".

Threads

GB

"UNIVERSAL SHORT" Tapered thread.

Gewindearten

DE

Konisches Gewinde "UNIVERSAL SHORT".

Filetages

FR

Filetage conique "UNIVERSAL SHORT".

Roscas

ES

Gas cónica "UNIVERSAL SHORT".

Roscas

PT

Gas conica "UNIVERSAL SHORT".



PRINCIPALI CARATTERISTICHE

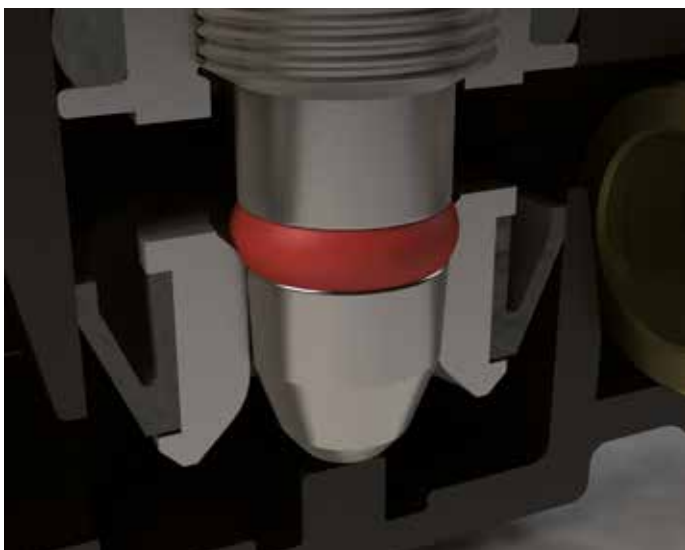
MOST IMPORTANT CHARACTERISTICS

WICHTIGSTEN MERKMALE

PRINCIPALES CARACTERISTIQUES

PRINCIPALES CARACTERÍSTICAS

PRINCIPAIS CARACTERÍSTICAS



1

La presenza di un O-ring sullo spillo, migliora la chiusura del regolatore.

The O-ring on the needle, improve the sealing of the regulator.

Durch den O-Ring auf der Einstellnadel kann eine die Schließung zu verbessern.

Le joint torique améliorer la étanchéité du régulateur de débit.

La presencia de una tórica O-ring en el tornillo, mejorar la estanqueidad del regulador.

A presença de um O-ring sob a agulha, melhorar a vedação do regulador.



2

Il montaggio a pannello: è possibile mediante il nipplo filettato e l'apposita ghiera.

Wall mounting, possible through the nipple and threaded ring nut.

Möglichkeit des Schalttafeleinbaus durch den Gewindestutzen und die Kontermutter.

Possibilité de montage en traversée de cloison.

El montaje a panel, es posible mediante el manguito roscado y la correspondiente tuerca.

A montagem em painel é possível, fazendo-se uso do pesçoço roscado e da porca para montagem.



3

E' previsto il montaggio a parete, mediante viti da M3 inserite nelle apposite sedi.

It is provided for wall mounting, with M3 screws inserted into the appropriate locations.

Für die Wandmontage kann der Regler mit M3 Schrauben befestigt werden.

Montage latéral possible à l'aide de vis M3.

Está previsto el montaje a pared, mediante tornillos de M3 introducidos en la correspondiente sede.

É prevista a montagem em parede, utilizando-se parafusos M3 nas furações existentes no corpo da reguladora.

55940

REGOLATORE IN LINEA UNIDIREZIONALE TUBO-TUBO

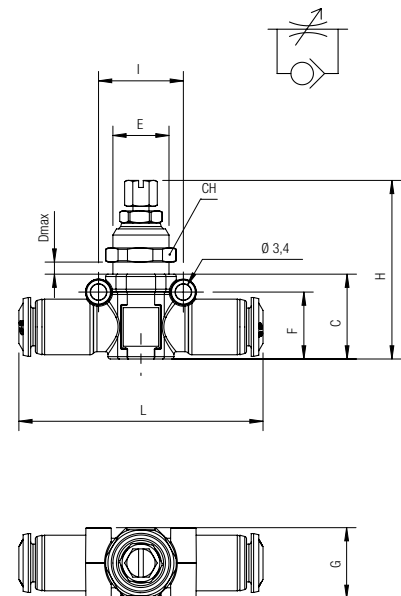
TUBE IN-LINE NEEDLE VALVE (UNIDIRECTIONAL FLOW)

REGLER FÜR LEITUNGSEINBAU MIT RÜCKSCHLAG ROHR-ROHR

RÉGLEUR DE DÉBIT EN LIGNE, UNI-DIRECTIONNEL

REGULADOR EN LINEA UNIDIRECCIONAL TUBO-TUBO

REGULADORA EM LINHA UNIDIRECCIONAL TUBO-TUBO



Code	Tube	C	D	E	F	G	H	I	L	CH	Pack.
55940 00 004	4	18	4	M12x1	14.5	15	37.5÷43.5	18	52	14	10
55940 00 001	6	18	6	M12x1	14.5	15	37.5÷43.5	18	52	14	10
55940 00 002	8	20	6.5	M14x1	16.5	17	39.5÷45.5	20	58	16	10
55940 00 003	10	23.5	8	M16x1	19.5	19	47.5÷53.5	22.5	67	18	10

55945

REGOLATORE IN LINEA UNIDIREZIONALE PER CILINDRO MASCHIO "UNIVERSAL SHORT"-TUBO

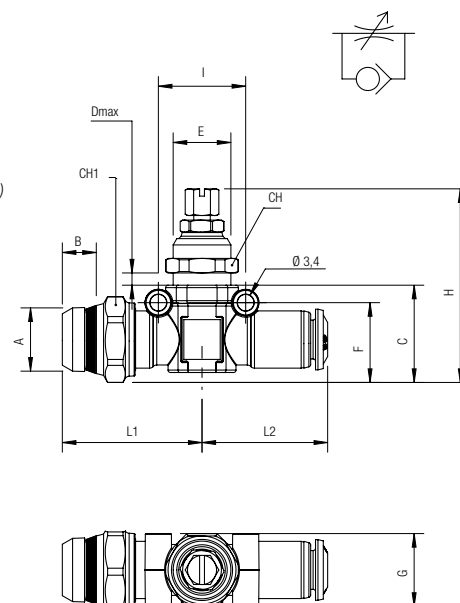
MALE "UNIVERSAL SHORT"-TUBE IN-LINE FLOW CONTROL (CONTROLLED FLOW OUT)

REGLER FÜR LEITUNGSEINBAU ABLUFTDROSSELUNG GEWINDE "UNIVERSAL SHORT"- ROHR

RÉGLEUR DE DÉBIT EN LIGNE, À L'ÉCHAPPEMENT

REGULADOR EN LINEA UNIDIRECCIONAL PARA CILINDRO MACHO "UNIVERSAL SHORT"- TUBO

REGULADORA EM LINHA ROSCA-TUBO UNIDIRECCIONAL PARA CILINDRO (ROSCA MACHO TIPO "UNIVERSAL SHORT")



Code	Tube	A	B	C	D	E	F	G	H	I	L1	L2	CH	CH1	Pack.
55945 00 007	4	1/8	5.5	20	6	M12x1	16.5	15	39.5÷45.5	18	28.5	26	14	16	10
55945 00 001	6	1/8	5.5	20	6	M12x1	16.5	15	39.5÷45.5	18	28.5	26	14	16	10
55945 00 002	6	1/4	7	20	6	M12x1	16.5	15	39.5÷45.5	18	28.5	26	14	16	10
55945 00 003	8	1/4	7	23	6.5	M14x1	16.5	17	42.5÷48.5	20	33.5	29	16	20	10
55945 00 004	8	3/8	7.5	23	6.5	M14x1	16.5	17	42.5÷48.5	20	33.5	29	16	20	10
55945 00 005	10	3/8	7.5	24.5	8	M16x1	20.5	19	42.5÷54	22.5	34.5	33.5	18	20	10
55945 00 006	10	1/2	9	25	8	M16x1	21	19	42.5÷54.5	22.5	34.5	33.5	18	21	10

55950

REGOLATORE IN LINEA UNIDIREZIONALE PER VALVOLA TUBO- MASCHIO "UNIVERSAL SHORT"

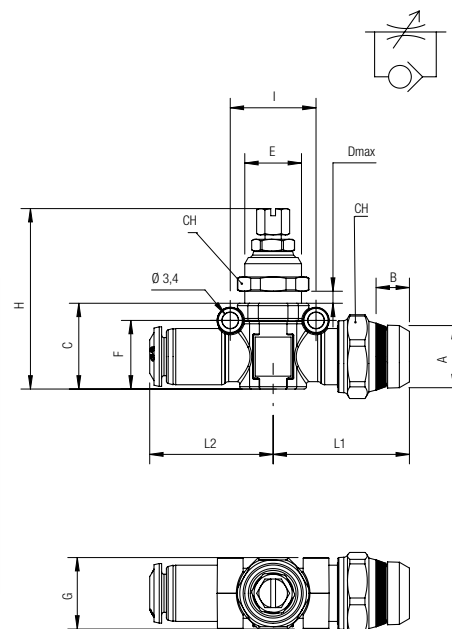
MALE "UNIVERSAL SHORT"- TUBE IN-LINE FLOW CONTROL (CONTROLLED FLOW IN)

REGLER FÜR LEITUNGSEINBAU ZULUFTDROSSELUNG ROHR-GEWINDE "UNIVERSAL SHORT"

RÉGLEUR DE DÉBIT EN LIGNE, À L'ADMISSION

REGULADOR EN LINEA UNIDIRECCIONAL PARA VÁLVULA TUBO- MACHO "UNIVERSAL SHORT"

REGULADORA EM LINHA ROSCA -TUBO UNIDIRECCIONAL PARA VÁLVULA (ROSCA MACHO TIPO "UNIVERSAL SHORT")

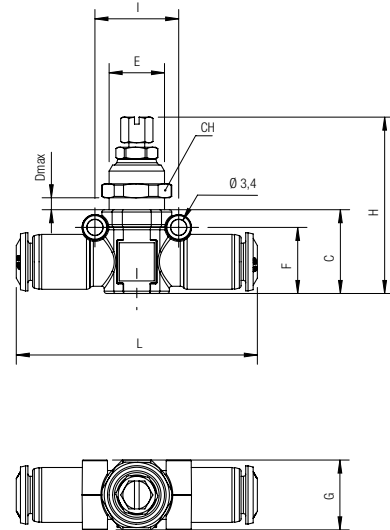


Code	Tube	A	B	C	D	E	F	G	H	I	L1	L2	CH	CH1	Pack.
55950 00 007	4	1/8	5.5	20	6	M12x1	16.5	15	39.5÷45.5	18	29	26	14	16	10
55950 00 001	6	1/8	5.5	20	6	M12x1	16.5	15	39.5÷45.5	18	29	26	14	16	10
55950 00 002	6	1/4	7	20	6	M12x1	16.5	15	39.5÷45.5	18	29	26	14	16	10
55950 00 003	8	1/4	7	23	6.5	M14x1	16.5	17	42.5÷48.5	20	33.5	29	16	20	10
55950 00 004	8	3/8	7.5	23	6.5	M14x1	16.5	17	42.5÷48.5	20	33.5	29	16	20	10
55950 00 005	10	3/8	7.5	24.5	8	M16x1	20.5	19	42.5÷54	22.5	34.5	33.5	18	20	10
55950 00 006	10	1/2	9	25	8	M16x1	21	19	42.5÷54.5	22.5	34.5	33.5	18	21	10

55955

REGOLATORE IN LINEA BIDIREZIONALE TUBO-TUBO

TUBE IN-LINE NEEDLE VALVE (BIDIRECTIONAL FLOW)
 REGLER FÜR LEITUNGSEINBAU BI-DIREKTIONAL ROHR-ROHR
 RÉGLEUR DE DÉBIT EN LIGNE, BI-DIRECTIONNEL
 REGULADOR EN LINEA BIDIRECCIONAL TUBO-TUBO
 REGULADORA EM LINHA BI-DIRECCIONAL TUBO-TUBO

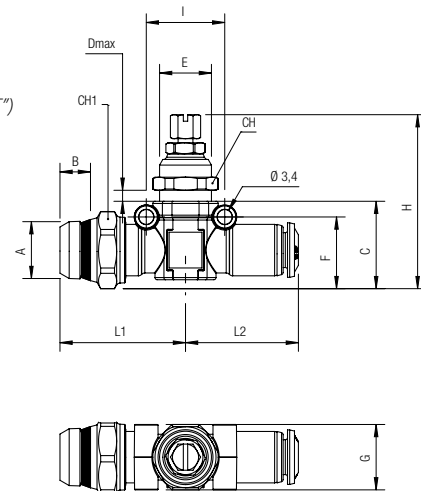


Code	Tube	C	D	E	F	G	H	I	L	CH	Pack.
55955 00 004	4	18	6	M12x1	14.5	15	37.5÷43.5	18	52	14	10
55955 00 001	6	18	6	M12x1	14.5	15	37.5÷43.5	18	52	14	10
55955 00 002	8	20	6.5	M14x1	16.5	17	39.5÷45.5	20	58	16	10
55955 00 003	10	23.5	8	M16x1	19.5	19	47.5÷53.5	22.5	67	18	10

55960

REGOLATORE IN LINEA BIDIREZIONALE MASCHIO "UNIVERSAL SHORT"- TUBO

MALE "UNIVERSAL SHORT" - TUBE IN-LINE FLOW CONTROL (BIDIRECTIONAL FLOW)
 REGLER FÜR LEITUNGSEINBAU BI-DIREKTIONAL GEWINDE "UNIVERSAL SHORT"- ROHR
 RÉGLEUR DE DÉBIT EN LIGNE, BI-DIRECTIONNEL "UNIVERSAL SHORT"
 REGULADOR EN LINEA BIDIRECCIONAL MACHO "UNIVERSAL SHORT" - TUBO
 REGULADORA EM LINHA ROSCA-TUBO BI-DIRECCIONAL PARA CILINDRO (ROSCA MACHO TIPO "UNIVERSAL SHORT")



Code	Tube	A	B	C	D	E	F	G	H	I	L1	L2	CH	CH1	Pack.
55960 00 007	4	1/8	5.5	20	6	M12x1	16.5	15	39.5÷45.5	18	28.5	26	14	16	10
55960 00 001	6	1/8	5.5	20	6	M12x1	16.5	15	39.5÷45.5	18	28.5	26	14	16	10
55960 00 002	6	1/4	7	20	6	M12x1	16.5	15	39.5÷45.5	18	28.5	26	14	16	10
55960 00 003	8	1/4	7	23	6.5	M14x1	16.5	17	42.5÷48.5	20	33.5	29	16	20	10
55960 00 004	8	3/8	7.5	23	6.5	M14x1	16.5	17	42.5÷48.5	20	33.5	29	16	20	10
55960 00 005	10	3/8	7.5	24.5	8	M16x1	20.5	19	42.5÷54	22.5	34.5	33.5	18	20	10
55960 00 006	10	1/2	9	25	8	M16x1	21	19	42.5÷54.5	22.5	34.5	33.5	18	21	10

REGOLATORI DI PRESSIONE IN LINEA

IN LINE PRESSURE REGULATOR
 DRUCKREGLER FÜR LEITUNSEINBAU
 REGULATEUR DE PRESSION EN LIGNE
 REGULADORES DE PRESIÓN EN LÍNEA
 REGULADOR DE PRESSÃO EM LINHA



CARATTERISTICHE TECNICHE
 TECHNICAL CHARACTERISTICS
 TECHNISCHE ANGABEN
 CARACTÉRISTIQUES TECHNIQUES
 CARACTERÍSTICAS TÉCNICAS
 CARACTERÍSTICAS TÉCNICAS



Norma di Riferimento

Reference standard

Entspricht der Norm

Norme de référence

Normativa de referencia

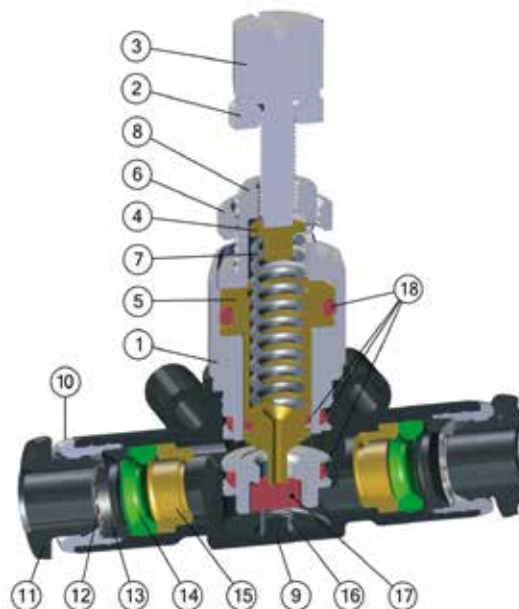
Norma de referência

1907/2006
 REACH ✓

2011/65/CE
 RoHS ✓

PED
 2014/68/UE

SILICON
 FREE



Materiali e Componenti

IT

- 1 Nipplo in ottone nichelato
- 2 Ghiera di bloccaggio in ottone nichelato
- 3 Pomolo di comando ottone nichelato
- 4 Supporto molla in ottone
- 5 Spillo in ottone
- 6 Ghiera in ottone nichelato
- 7 Molla spillo in acciaio AISI 631
- 8 Terminale in ottone nichelato
- 9 Corpo in tecnopolimero
- 10 Capsula in ottone nichelato
- 11 Spintore sgancio tubo in resina acetica
- 12 Pinza d'aggraffaggio in acciaio AISI 301
- 13 Anello di sicurezza in tecnopolimero
- 14 Guarnizione sagomata in NBR
- 15 Supporto guida tubo
- 16 Molla di contrasto
- 17 Guarnizione a fiorellino in NBR
- 18 Guarnizione O-Ring in NBR

Component Parts and Materials

GB

- 1 Nickel-Plated Brass Nipple
- 2 Nickel-Plated Brass locking nut
- 3 Nickel-Plated Brass Adjusting Knob
- 4 Spring support in brass
- 5 Brass Adjusting needle
- 6 Nickel-Plated Brass Sleeve
- 7 Spring Adjusting needle in Steel AISI 631
- 8 End part in Nickel-Plated Brass
- 9 Technopolymeric Body
- 10 Nickel-Plated Brass Capsule
- 11 Acetalic resin collet
- 12 Steel AISI 301 Clamping Washer
- 13 Technopolymeric safety ring
- 14 NBR molded Seal
- 15 Brass Tube-Guide Support
- 16 Contrast spring
- 17 Flower seal in NBR
- 18 NBR O-Ring seal

Komponenten und Materialien

DE

- 1 Gewindestutzen Messing vernickelt
- 2 Sicherungs-Kontermutter Messing vernickelt
- 3 Einstellknopf Messing vernickelt
- 4 Federhalterung Messing vernickelt
- 5 Einstellnadel Messing vernickelt
- 6 Hülse Messing vernickelt
- 7 Feder Edelstahl AISI 631
- 8 Endring Messing vernickelt
- 9 Körper Technopolymer
- 10 Haltering Messing vernickelt
- 11 Rohr Lösering Acetal
- 12 Zahnscheibe Edelstahl AISI 301
- 13 Sicherungsring Technopolymer
- 14 Lippendichtung NBR
- 15 Rohr Führungshülse Messing
- 16 Einstellfeder
- 17 Ring NBR
- 18 O-Ring NBR

Matériaux et Composants

FR

- 1 Corps fileté: laiton nickelé
- 2 Contre écrou de blocage: laiton nickelé
- 3 Bouton de réglage: laiton nickelé
- 4 Support du ressort: laiton
- 5 Vis de réglage: laiton
- 6 Douille: laiton nickelé
- 7 Ressort: acier inoxydable AISI 631
- 8 Capsule: laiton nickelé
- 9 Corps: technopolymère
- 10 Capsule de retenue: laiton nickelé
- 11 Poussoir: résine acétal
- 12 Rondelle d'accrochage: AISI 301
- 13 Anneau de sécurité: technopolymère
- 14 Joint à lèvres: NBR
- 15 Douille de guidage du tube: laiton
- 16 Ressort de réglage
- 17 Bague: NBR
- 18 Joint torique: NBR

Materiales y Componentes

ES

- 1 Unión en latón niquelado
- 2 Tuerca de bloqueo en latón niquelado
- 3 Pomo de mando en latón niquelado
- 4 Soporte muelle en latón
- 5 Tornillo en latón
- 6 Tuerca en latón niquelado
- 7 Muelle tornillo en acero AISI 631
- 8 Terminal en latón niquelado
- 9 Cuerpo en tecnopolímero
- 10 Cápsula en latón niquelado
- 11 Anillo de extracción tubo en resina acetálica
- 12 Pinza de sujeción en acero AISI 301
- 13 Anillo de seguridad en tecnopolímero
- 14 Junta de labio en NBR
- 15 Soporte guía tubo
- 16 Muelle de contraste
- 17 Junta en NBR
- 18 Junta O-Ring en NBR

Materiais e Componentes

PT

- 1 Niple em latão niquelado
- 2 Porca de travamento em latão niquelado
- 3 Pino de comando latão niquelado
- 4 Suporte da mola em latão
- 5 Agulha em latão
- 6 Porca em latão niquelado
- 7 Mola da agulha em aço AISI 631
- 8 Terminal em latão niquelado
- 9 Corpo em tecnopolímero
- 10 Cápsula em latão niquelado
- 11 Anilha de liberação de tubo em resina acetálica
- 12 Pinça de travamento em aço AISI 301
- 13 Anel de segurança em tecnopolímero
- 14 Vedação tipo lábio em NBR
- 15 Suporte guia tubo
- 16 Mola de contraste
- 17 Vedação da válvula em NBR
- 18 Vedação O-Ring em NBR



Pressioni di ingresso

Inlet Pressures

Eingangsdruck

Pression d'entrée

Presión de entrada

Pressão de entrada

2 bar (0.2 MPa)

10 bar (1 MPa)

Impostare la pressione voluta sempre in salita.

Set the pressure always uphill.

Gewünschten Druck von 1 bar nach oben einstellen.

Le réglage de la pression se fait toujours vers le haut.

Ajustar la presión deseada siempre en subida.

Regular a pressão desejada sempre na saída.



Temperature

Temperatures

Temperatur

Températures

Temperaturas

Temperaturas

- 20 °C

+ 80 °C



Fluidi compatibili

Aria compressa

Fluids

Compressed air

Geeignete Medien

Druckluft

Fluides compatibles

Air comprimé

Fluidos compatibles

Aire comprimido

Fluidos compatíveis

Ar comprimido



Campo di Regolazione

Regulation Range

Regelbereich

Plage de Réglage

Campo de Regulación

Campo de Regulagem

1 ÷ 8 bar (0.1 ÷ 0.8 MPa)



Tubi di Collegamento

IT

Tubi in materiale plastico:

PA6, PA11, PA12, Polietilene, *Poliuretano, PTFE, FEP.

*Per tubi in Poliuretano é consigliata una durezza di 98 shore.

Connection Tubes

GB

Plastic tubes:

PA6, PA11, PA12, Polyethylene, *Polyurethane, PTFE, FEP.

*For Polyurethane hoses it is required a minimum hardness of 98 shore.

Geeignete Rohre

DE

Kunststoffrohre:

PA6, PA11, PA12, Polyethylene, *Polyurethan, PTFE, FEP.

*Für Polyurethan Rohre ist eine Härte von 98 Shore empfohlen.

Tubes Conseillés

FR

Tubes plastiques:

PA6, PA11, PA12, Polyéthylène, *Polyuréthane, PTFE, FEP.

*Pour les tubes en polyuréthane, il est conseillé une dureté de 98 Shore.

Tubos de Conexión

ES

Tubos en material plástico:

PA6, PA11, PA12, Polietileno, *Poliuretano, PTFE, FEP.

*Para tubos en poliuretano es aconsejada una dureza de 98 shore.

Tubos de Conexão

PT

Tubos em material plástico:

PA6, PA11, PA12, Polietileno, *Poliuretano, PTFE, FEP.

*Para tubos em Poliuretano é requerida uma dureza de 98 shore.



Filettatura

IT

Gas conica "UNIVERSAL SHORT".

Threads

GB

"UNIVERSAL SHORT" Tapered thread.

Gewindearten

DE

Konisches Gewinde "UNIVERSAL SHORT".

Filetages

FR

Filetage conique "UNIVERSAL SHORT".

Roscas

ES

Gas cónica "UNIVERSAL SHORT".

Roscas

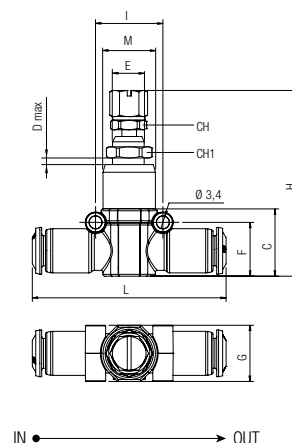
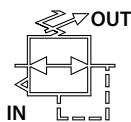
PT

Gas conica "UNIVERSAL SHORT".

55970

REGOLATORE DI PRESSIONE IN LINEA TUBO-TUBO

TUBE IN LINE PRESSURE REGULATOR
 DRUCKREGLER FÜR LEITUNGSEINBAU
 RÉGLEUR DE PRESSION EN LIGNE
 REGULADOR DE PRESIÓN EN LÍNEA TUBO - TUBO
 REGULADOR DE PRESSÃO EM LINHA TUBO - TUBO

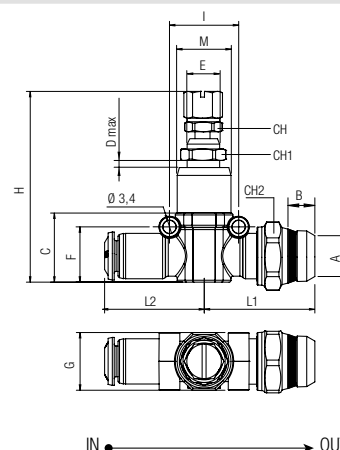
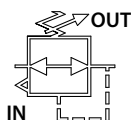


Code	Tube	C	D	E	F	G	H	I	L	M	CH	CH1	Pack.
55970 00 002	6	18	5	M9x1	14.5	15	48÷56.5	18	52	14	9	11	10
55970 00 003	8	20	5	M11x1	16.5	17	55÷65	20	58	17	10	13	10

55975

REGOLATORE DI PRESSIONE IN LINEA TUBO - MASCHIO "UNIVERSAL SHORT"

TUBE - MALE "UNIVERSAL SHORT" IN-LINE PRESSURE REGULATOR
 DRUCKREGLER FÜR LEITUNGSEINBAU ROHR - GEWINDE "UNIVERSAL SHORT"
 RÉGLEUR DE PRESSION EN LIGNE, TUBE - FILETAGE
 REGULADOR DE PRESIÓN EN LÍNEA TUBO - MACHO "UNIVERSAL SHORT"
 REGULADOR DE PRESSÃO EM LINHA TUBO - ROSCA MACHO "UNIVERSAL SHORT"

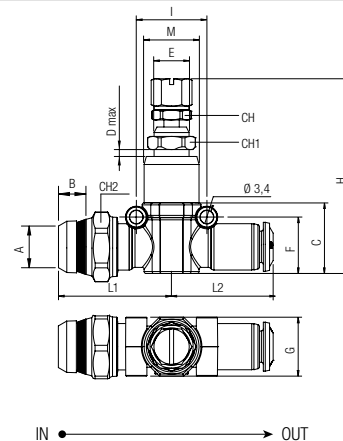
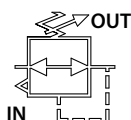


Code	Tube	A	B	C	D	E	F	G	H	I	L1	L2	M	CH	CH1	CH2	Pack.
55975 00 001	6	1/8	5.5	20	5	M9x1	16.5	15	48÷56.5	18	29	26	14	9	11	16	10
55975 00 002	6	1/4	7	20	5	M9x1	16.5	15	48÷56.5	18	29	26	14	9	11	16	10
55975 00 003	8	1/4	7	23	5	M11x1	16.5	17	55÷65	20	33.5	29	17	10	13	20	10
55975 00 004	8	3/8	7.5	23	5	M11x1	16.5	17	55÷65	20	33.5	29	17	10	13	20	10

55980

REGOLATORE DI PRESSIONE IN LINEA MASCHIO "UNIVERSAL SHORT"- TUBO

MALE "UNIVERSAL SHORT" - TUBE IN-LINE PRESSURE REGULATOR
 DRUCKREGLER FÜR LEITUNGSEINBAU GEWINDE "UNIVERSAL SHORT" - ROHR
 RÉGLEUR DE PRESSION EN LIGNE, FILETAGE - TUBE
 REGULADOR DE PRESIÓN EN LÍNEA MACHO "UNIVERSAL SHORT" - TUBO
 REGULADOR DE PRESSÃO EM LINHA ROSCA MACHO "UNIVERSAL SHORT" - TUBO



Code	Tube	A	B	C	D	E	F	G	H	I	L1	L2	M	CH	CH1	CH2	Pack.
55980 00 001	6	1/8	5.5	20	5	M9x1	16.5	15	48÷56.5	18	28.5	26	14	9	11	16	10
55980 00 002	6	1/4	7	20	5	M9x1	16.5	15	48÷56.5	18	28.5	26	14	9	11	16	10
55980 00 003	8	1/4	7	23	5	M11x1	16.5	17	55÷65	20	33.5	29	17	10	13	20	10
55980 00 004	8	3/8	7.5	23	5	M11x1	16.5	17	55÷65	20	33.5	29	17	10	13	20	10

REGOLATORI DI FLUSSO UNIDIREZIONALI

UNI-DIRECTIONAL FLOW REGULATOR
 DURCHFLUSSREGLER MIT RÜCKSCHLAG
 REGLEUR EN LIGNE ALUMINIUM UNI-DIRECTIONNEL
 REGULADORES DE FLUJO UNIDIRECCIONALES
 REGULADORAS DE VAZÃO UNIDIRECIONAL



CARATTERISTICHE TECNICHE

TECHNICAL CHARACTERISTICS
 TECHNISCHE ANGABEN
 CARACTÉRISTIQUES TECHNIQUES
 CARACTERÍSTICAS TÉCNICAS
 CARACTERÍSTICAS TÉCNICAS



Norma di Riferimento

Reference Standard

Entspricht Der Norm

Conforme à La Norme

Normativa de Referencia

Norma de Referência

1907/2006

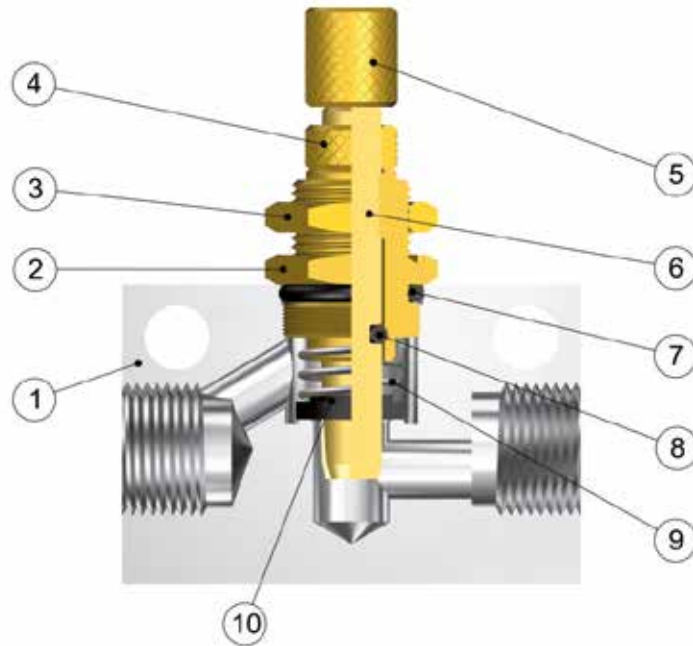
REACH

2011/65/CE

RoHS

PED
2014/68/UE

SILICON
FREE



Materiali e Componenti

IT

- 1 Corpo in alluminio anodizzato
- 2 Nipplo in ottone
- 3 Ghiera di fissaggio in ottone
- 4 Ghiera in ottone
- 5 Pomolo in ottone
- 6 Spillo in ottone
- 7 O-Ring Nipplo in NBR
- 8 O-Ring Spillo in NBR
- 9 Molla in acciaio
- 10 Guarnizione flottante

Component Parts and Materials

GB

- 1 Anodized aluminium Body
- 2 Brass Nipple
- 3 Brass Locking nut
- 4 Brass Nut
- 5 Brass Adjusting Knob
- 6 Brass Adjusting needle
- 7 NBR O-Ring Nipple
- 8 NBR O-Ring Adjusting needle
- 9 Steel Spring
- 10 Seal floating washer

Komponenten und Materialien

DE

- 1 Körper Aluminium eloxiert
- 2 Gewindestutzen Messing
- 3 Kontermutter Messing
- 4 Konternut Messing
- 5 Einstellknopf Messing
- 6 Stift Messing
- 7 Gewindestutzen O-Ring NBR
- 8 Stift O-Ring NBR
- 9 Feder Stahl
- 10 Schwimmende Dichtung

Matériaux et Composants

FR

- 1 Corps: aluminium anodisé
- 2 Corps fileté: laiton
- 3 Contre écrou: laiton
- 4 Ecrou: laiton
- 5 Bouton de réglage: laiton
- 6 Vis de réglage: laiton
- 7 Joint torique: NBR
- 8 Joint torique: NBR O-Ring
- 9 Ressort: acier inoxydable
- 10 Bague flottante: acier

Materiales y Componentes

ES

- 1 Cuerpo en aluminio anodizado
- 2 Unión en latón
- 3 Tuerca de fijación en latón
- 4 Tuerca en latón
- 5 Pomo en latón
- 6 Tornillo regulador en latón
- 7 Junta tórica O-Ring unión en NBR
- 8 Junta tórica O-Ring tornillo en NBR
- 9 Muelle en acero
- 10 Junta flotante

Materiais e Componentes

PT

- 1 Corpo in alumínio anodizado
- 2 Niple em latão
- 3 Porca de fixação em latão
- 4 Porca em latão
- 5 Cabeça de regulagem em latão
- 6 Agulha em latão
- 7 O-Ring do niple em NBR
- 8 O-Ring da agulha em NBR
- 9 Mola em aço
- 10 Vedação flutuante



Pressioni

Pressures

Druckbereich

Pressions

Presiones

Pressões

1 bar (0.1 MPa)

10 bar (1 MPa)



Temperature

Temperatures

Temperatur

Températures

Temperaturas

Temperaturas

- 20 °C

+ 80 °C



Caratteristiche di flusso regolatori di portata unidirezionali

Flow characteristics adjustable restrictor valves uni-directionals

Durchflusswerte der regler mit rückschlag

Caractéristiques des débits pour les régleurs de débit uni-directionnel

Características de flujo reguladores de caudal unidireccionales

Características de vazão reguladoras de vazão unidirecionais

Pressione in entrata

Inlet pressure
Absoluter Eingangsdruck
Pression d'entrée
Presión absoluta entrada
Pressão de entrada

7 bar

Pressione in uscita: Pressione Atmosferica

Outlet pressure: Atmosphere Pressure
Absoluter Ausgangsdruck: Atmosphärendruck
Pression de sortie: Pression atmosphérique
Presión absoluta salida: Presión atmosférica
Pressione de saída: Pressão Atmosférica

1013 mbar

NI/min

Portata d'aria Q a 0° C e 1013 mbar

Air rate Q at 0°C and 1013 mbar

Luftdurchlass Q bei 0° C und 1013 mbar

Débit d'air Q à 0°C et 1013 mbar

Caudal de aire Q 0° C e 1013 mbar

Vazão de ar Q 0° C e 1013 mbar

N°

Numero giri spillo di regolazione

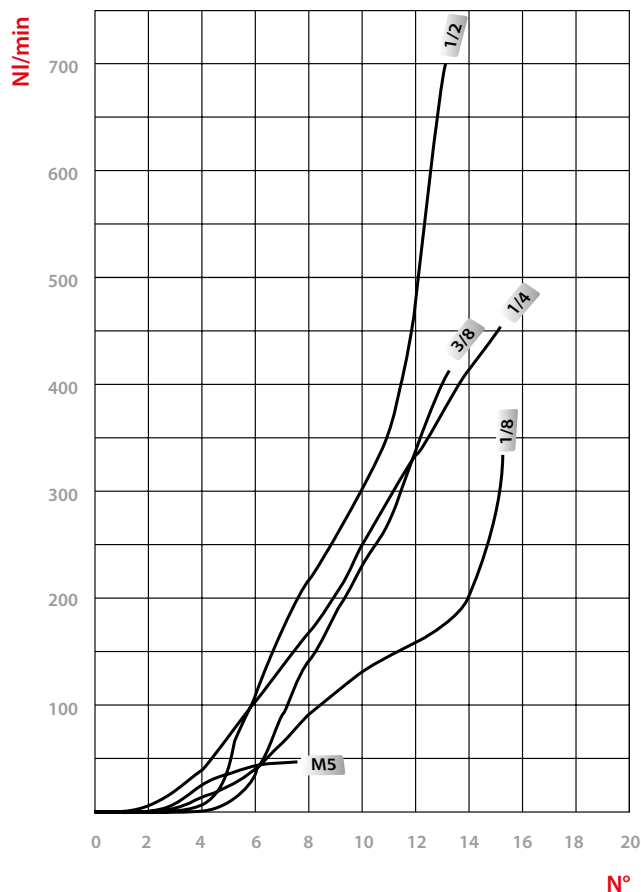
Number of turns of the adjusting needle

Umdrehungen an der Einstellnadel

Nombre de tours de réglage

Número de giros tornillo regulador

Número de voltas do parafuso de regulagem



8850

REGOLATORI DI FLUSSO UNIDIREZIONALI

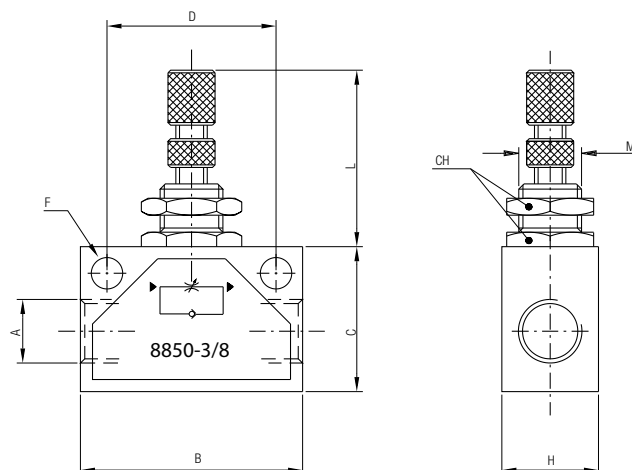
UNI-DIRECTIONAL FLOW REGULATOR

DURCHFLOSSREGLER MIT RÜCKSCHLAG

RÉGLEUR DE DÉBIT EN LIGNE, UNI-DIRECTIONNEL

REGULADORES DE FLUJO UNIDIRECCIONALES

REGULADORES DE VAZÃO UNIDIRECCIONAL



Code	A	B	C	H	D	F	L	M	CH	Pack.
08850 00 001	M5	25	15	12	18	4.5	20-27	M10x0.75	12	10
08850 00 002	1/8	35	22	18	24.7	4.5	26-36	M12x0.75	15	10
08850 00 003	1/4	46	30	20	35	6.5	26-36	M12x0.75	15	10
08850 00 004	3/8	50	30	25	35	6.5	32-42	M18x1.5	22	10
08850 00 005	1/2	60	40	25	44	6.5	32-44	M18x1.5	22	10

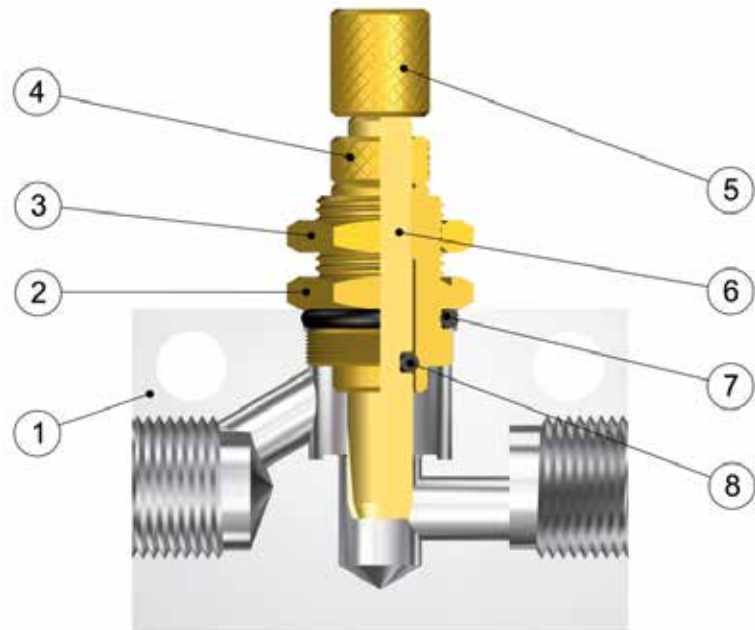
REGOLATORI DI FLUSSO BIDIREZIONALI

BI-DIRECTIONAL FLOW REGULATOR
 DURCHFLUSSREGLER BI-DIREKTIONAL
 REGLEUR DE DEBIT EN ALUMINIUM BI-DIRECTIONNEL
 REGULADORES DE FLUJO BIDIRECCIONALES
 REGULADORAS DE VAZÃO BI-DIRECIONAL



CARATTERISTICHE TECNICHE

TECHNICAL CHARACTERISTICS
 TECHNISCHE ANGABEN
 CARACTÉRISTIQUES TECHNIQUES
 CARACTERÍSTICAS TÉCNICAS
 CARACTERÍSTICAS TÉCNICAS



Materiali e Componenti

IT

- 1 Corpo in alluminio anodizzato
- 2 Nipplo in ottone
- 3 Ghiera di fissaggio in ottone
- 4 Ghiera in ottone
- 5 Pomolo in ottone
- 6 Spillo in ottone
- 7 O-Ring Nipplo in NBR
- 8 O-Ring Spillo in NBR

Component Parts and Materials

GB

- 1 Anodized aluminium Body
- 2 Brass Nipple
- 3 Brass Loking nut
- 4 Brass Nut
- 5 Brass Adjusting Knob
- 6 Brass Adjusting needle
- 7 NBR O-Ring Nipple
- 8 NBR O-Ring Adjusting needle

Komponenten und Materialien

DE

- 1 Körper Aluminium eloxiert
- 2 Gewindestutzen Messing
- 3 Kontermutter Messing
- 4 Konterring Messing
- 5 Einstellknopf Messing
- 6 Stift Messing
- 7 Gewindestutzen O-Ring NBR
- 8 Stift O-Ring NBR

Matériaux et Composants

FR

- 1 Corps: aluminium anodisé
- 2 Corps fileté: laiton
- 3 Contre écrou: laiton
- 4 Ecrou: laiton
- 5 Bouton de réglage: laiton
- 6 Vis de réglage: laiton
- 7 Joint torique: NBR
- 8 Joint torique: NBR

Materiales y Componentes

ES

- 1 Cuerpo en aluminio anodizado
- 2 Unión en latón
- 3 Tuerca de fijación en latón
- 4 Tuerca en latón
- 5 Pomo en latón
- 6 Tornillo regulador en latón
- 7 Junta tórica O-Ring unión en NBR
- 8 Junta tórica O-Ring tornillo en NBR

Materiais e Componentes

PT

- 1 Corpo in alumínio anodizado
- 2 Niple em latão
- 3 Porca de fixação em latão
- 4 Porca em latão
- 5 Cabeça de regulação em latão
- 6 Agulha em latão
- 7 O-Ring do niple em NBR
- 8 O-Ring da agulha em NBR



Pressioni

Pressures

Druckbereich

Pressions

Presiones

Pressões

0 bar (0 MPa)

10 bar (1 MPa)



Temperature

Temperatures

Temperatur

Températures

Temperaturas

Temperaturas

- 20 °C

+ 80 °C



Caratteristiche di flusso regolatori di portata bidirezionali

Flow characteristics adjustable restrictor valves bi-directionals

Durchflusswerte der regler bi-direktional

Caractéristiques des débits pour les régleurs de débit bi-directionnel

Características de flujo reguladores de caudal bidireccionales

Características de vazão reguladoras de vazão bi-direcionais

Pressione in entrata

Inlet pressure
Absoluter Eingangsdruck
Pression d'entrée
Presión absoluta entrada
Pressão de entrada

7 bar

Pressione in uscita: Pressione Atmosferica

Outlet pressure: Atmosphere Pressure
Absoluter Ausgangsdruck: Atmosphärendruck
Pression de sortie: Pression atmosphérique
Presión absoluta salida: Presión atmosférica
Pressione de saída: Pressão Atmosférica

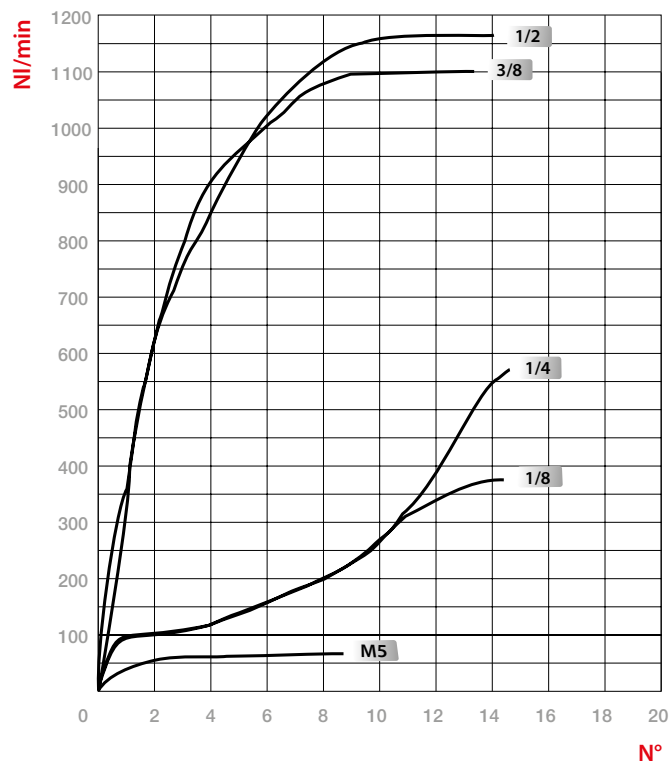
1013 mbar

NI/min

Portata d'aria Q a 0° C e 1013 mbar
Air rate Q at 0°C and 1013 mbar
Luftdurchlass Q bei 0° C und 1013 mbar
Débit d'air Q à 0°C et 1013 mbar
Caudal de aire Q 0° C y 1013 mbar
Vazão de ar Q 0° C e 1013 mbar

N°

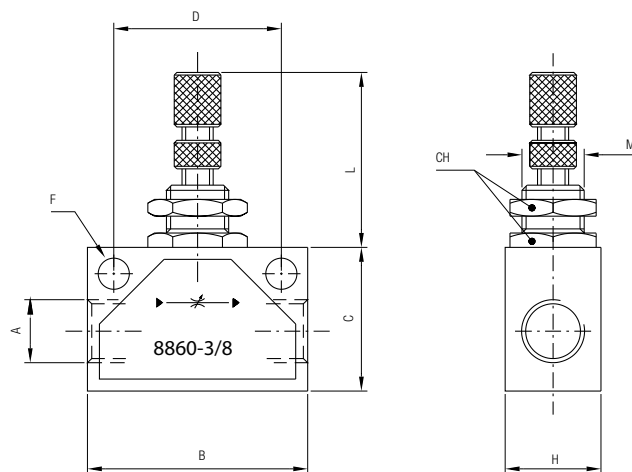
Numero giri spillo di regolazione
Number of turns of the adjusting needle
Umdrehungen an der Einstellnadel
Nombre de tours de réglage
Número de giros tornillo regulador
Número de voltas do parafuso de regulagem



8860

REGOLATORE DI FLUSSO BIDIREZIONALE

BI-DIRECTIONAL FLOW REGULATOR
DURCHFLUSSREGLER BI-DIREKTIONAL
RÉGLEUR DE DÉBIT EN LIGNE, BI-DIRECTIONNEL
REGULADOR DE FLUJO BIDIRECCIONAL
REGULADORA DE VAZÃO BI-DIRECCIONAL



Code	A	B	C	H	D	F	L	M	CH	Pack.
08860 00 001	M5	25	15	12	18	4.5	20-27	M10x0.75	12	10
08860 00 002	1/8	35	22	18	24.7	4.5	27-34	M12x0.75	15	10
08860 00 003	1/4	46	30	20	35	6.5	27-34	M12x0.75	15	10
08860 00 004	3/8	50	30	25	35	6.5	32-43	M18x1.5	22	10
08860 00 005	1/2	60	40	25	44	6.5	32-43	M18x1.5	22	10

ELEMENTI LOGICI

LOGIC ELEMENTS
LOGIKELEMENTE
SELECTEURS DE CIRCUIT
ELEMENTOS LÓGICOS
ELEMENTOS LÓGICOS



CARATTERISTICHE TECNICHE

TECHNICAL CHARACTERISTICS
TECHNISCHE ANGABEN
CARACTÉRISTIQUES TECHNIQUES
CARACTERÍSTICAS TÉCNICAS
CARACTERÍSTICAS TÉCNICAS



Norma di Riferimento

Reference standard

Entspricht der Norm

Norme de référence

Normativa de referencia

Norma de referència

1907/2006

REACH ✓

2011/65/CE

RoHS ✓

PED
2014/68/UE

SILICON
FREE



Pressione di funzionamento

Operating pressure

Druckbereich

Pressions

Presión de Trabajo

Pressão de Trabalho

2 bar (0.2 MPa)

10 bar (1 MPa)



Temperatura di funzionamento

Operating temperature

Temperatur

Température

Temperatura de Trabajo

Temperatura de Trabalho

- 10 °C

+ 60 °C



Fluidi

Aria compressa

Fluids

Compressed air

Medien

Druckluft

Fluides

Air comprimé

Fluidos

Aire comprimido

Fluidos

Ar comprimido



Attacco filettato

Threaded

Gewinde

Filetages

Rosca

Conexão Roscada

1/8



Portata nominale (6 bar)

Flow rate (6 bar)

Nenndurchfluss (6 bar)

Débit (6 bar)

Caudal nominal (6 bar)

Vazão nominal (6 bar)

100 NI/min

Materiali

IT

- 1 Corpo in alluminio anodizzato
- 2 Molla in INOX
- 3 Guarnizioni in NBR
- 4 Parti interne in ottone

Materials

GB

- 1 Anodised aluminium body
- 2 Stainless steel springs
- 3 NBR seals
- 4 Internal parts in brass

Materialien

DE

- 1 Körper aus aluminium eloxiert
- 2 Seegerring aus INOX
- 3 Dichtung aus NBR
- 4 Interne Komponenten aus Messing

Matériaux

FR

- 1 Corps en aluminium anodisé
- 2 Ressort en INOX
- 3 Joints en NBR
- 4 Composants internes en laiton

Materiales

ES

- 1 Cuerpo en aluminio anodizado
- 2 Muelle en INOX
- 3 Juntas NBR
- 4 Parte interna en latón

Materiais

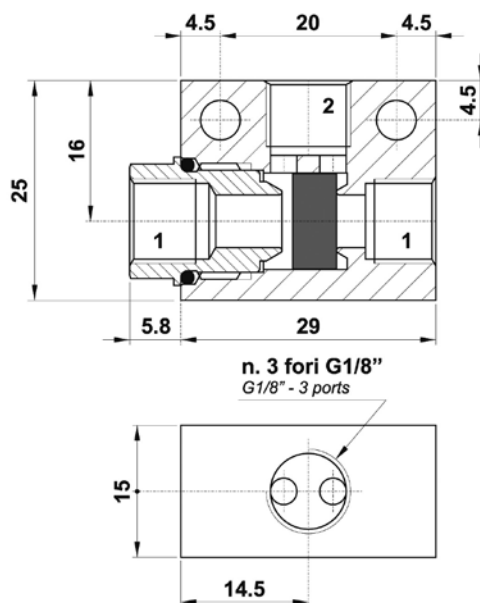
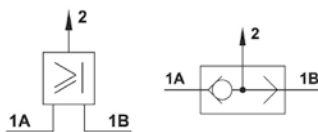
PT

- 1 Corpo em alumínio anodizado
- 2 Mola em INOX
- 3 Vedações em NBR
- 4 Partes internas em latão

8870

VALVOLA SELETRICE CON FUNZIONE "OR"

IN-LINE "OR" LOGIC ELEMENT
 FUNKTIONSELEMENT "ODER"
 SELECTEUR FONCTION "OU"
 VÁLVULA SELETORES FUNCIÓN "OR"
 VÁLVULA SELETORES COM FUNÇÃO "OU"

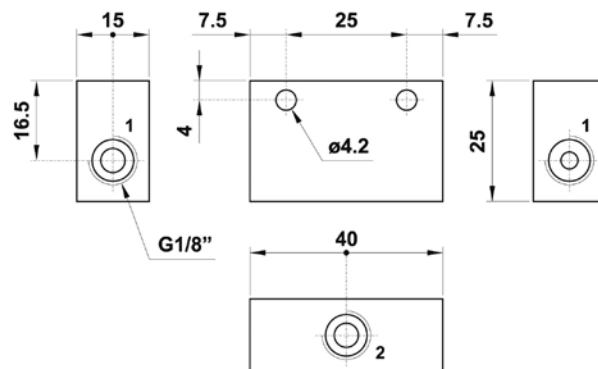
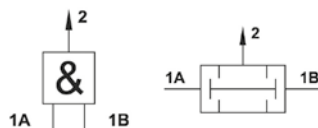


Code	Size	Function	DN	Pack.
08870 00 001	1/8	OR	4	1

8872

VALVOLA SELETRICE CON FUNZIONE "AND"

IN-LINE "AND" LOGIC ELEMENT
 FUNKTIONSELEMENT "UND"
 SELECTEUR FONCTION "ET"
 VÁLVULA SELETORES FUNCIÓN "AND"
 VÁLVULA SELETORES COM FUNÇÃO "E"



Code	Size	Function	DN	Pack.
08872 00 001	1/8	AND	3	1

VALVOLE A SCARICO RAPIDO

QUICK EXHAUST VALVE
SCHNELLENTLÜFTUNGSVENTILE
VANNE À PURGE RAPIDE
VÁLVULA DE ESCAPE RÁPIDO
VÁLVULA ESCAPE RÁPIDO



CARATTERISTICHE TECNICHE

TECHNICAL CHARACTERISTICS
TECHNISCHE ANGABEN
CARACTÉRISTIQUES TECHNIQUES
CARACTERÍSTICAS TÉCNICAS
CARACTERÍSTICAS TÉCNICAS



Norma di Riferimento

Reference standard

Entspricht der Norm

Norme de référence

Normativa de referencia

Norma de referência

1907/2006

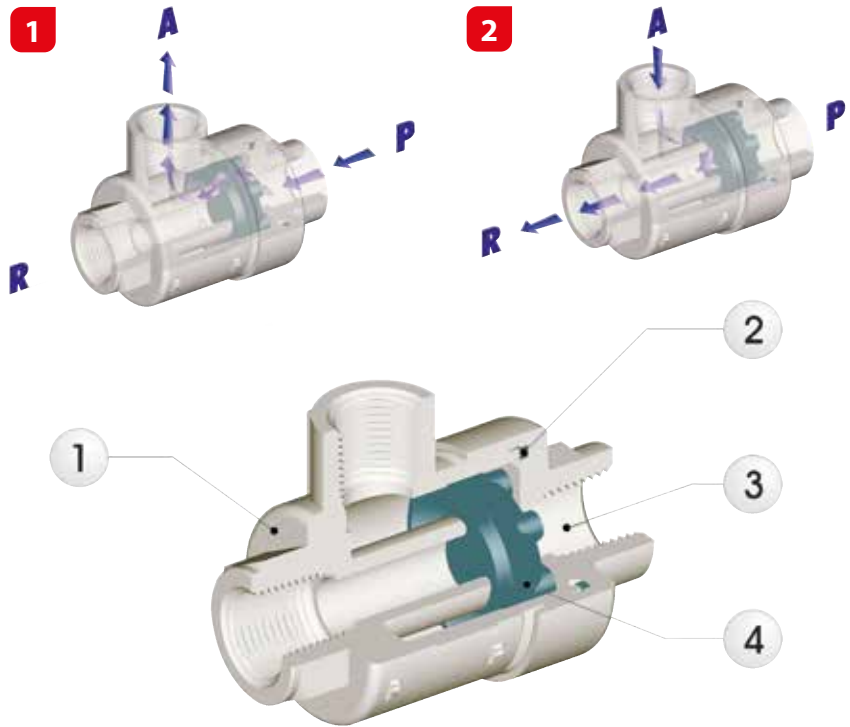
REACH ✓

2011/65/CE

RoHS ✓

PED
2014/68/UE

SILICON
FREE



Materiali e Componenti

IT

- 1 Corpo in Ottone nichelato
- 2 Guarnizione piatta in PA66
- 3 Coperchio in ottone nichelato
- 4 Tampone in NBR

Component Parts and Materials

GB

- 1 Nickel-plated Brass Body
- 2 PA66 Flat Seals
- 3 Nickel-plated Brass Cover cap
- 4 NBR Pad

Komponenten und Materialien

DE

- 1 Körper Messing vernickelt
- 2 O-Ring PA66
- 3 Abdeckung Messing vernickelt
- 4 Membrane NBR

Matériaux et Composants

FR

- 1 Corps: laiton nickelé
- 2 Joint torique: PA66
- 3 Couvercle: laiton nickelé
- 4 Clapet: NBR

Materiales y Componentes

ES

- 1 Cuerpo en latón niquelado
- 2 Junta tórica O-Ring en Nylon PA66
- 3 Tapa en latón niquelado
- 4 Membrana en NBR

Materiais e Componentes

PT

- 1 Corpo em Latão Niquelado
- 2 Vedação O-Ring em PA66
- 3 Cobertura em Latão Niquelado
- 4 Tampão em NBR



Pressioni

Pressures

Druckbereich

Pressions

Presiones

Pressões

0.3 bar (0.03 MPa)

10 bar (1 MPa)



Temperature

Temperatures

Temperatur

Températures

Temperaturas

Temperaturas

- 20 °C

+ 80 °C

IT

Nella norma UNI ISO 5598 questo articolo viene così definito: "Valvola la cui uscita viene immediatamente aperta a scarico ogni qualvolta cala il valore di pressione dell'aria all'ingresso".
L'aria proveniente dall'impianto entra da P sposta il tampone escludendo lo scarico R e va all'utilizzo A (Fig. 1).
Nel momento in cui viene a mancare la pressione all'ingresso P, l'aria che si trova all'utilizzo per differenza di pressione sposta il tampone escludendo P e fuoriesce dallo scarico R (Fig. 2).
Queste valvole permettono quindi una maggiore rapidità di scarico velocizzando i cicli di lavoro.
All'uscita di R è sempre consigliabile mettere un silenziatore, oppure con opportuni collegamenti si può riutilizzare il flusso per ulteriori segnali o utilizzi.

GB

According to the definition of the UNI standards ref. UNI-ISO 5598 this valve is considered: "Valve which immediately opens its outlet to exhaust, whenever the pressure of the air decreases at the inlet."
The air arrives from the system and enters at "P", it moves the pad sealing "R" and bending the pad edges, it travels to "A" (Fig. 1).
When it miss the pressure in "P", the air presents into the system due to the difference of pressure, it moves the pad sealing "P" and it clears through outlet "R" (Fig 2).
This allows a speedy and a better exhaust and also it speeds up the work cycles.
At the outlet "R" it is advised to assembly a silencer or if necessary use the flow for further signals or uses.

DE

Die UNI ISO 5598 Norm dieses Artikels ist wie folgt definiert: "Ventil, dessen Ausgang sich zum Entlüften sofort öffnet, sobald sich der Luftdruck am Eingang reduziert". Die Druckluft kommt aus der Druckluftleitung vom Eingang P, bewegt die Pufferdichtung und dichtet den Ausgang R ab und somit strömt die Druckluft zum Verbraucher über den Ausgang A (Fig. 1).
Im Moment wo die Druckluftzufuhr vom Eingang P unterbrochen wird, wird die Pufferdichtung wieder in die Ausgangsposition zurückbewegt und dichtet den Eingang P ab (durch die dabei entstehende Druckdifferenz) und somit kann die Druckluft vom Ausgang A über Ausgang R entlüften (Fig. 2). Diese Ventile ermöglichen durch die schnellere Entlüftung die Arbeitszyklen zu erhöhen. Beim Ausgang R ist es immer ratsam einen Schalldämpfer einzusetzen oder die ausgehende Druckluft kann als Signal oder für anderen Nutzen verwendet werden.

FR

La norme UNI EN ISO 5598 définit cet article comme suit: «La vanne s'ouvre immédiatement, lorsque la pression de l'air diminue à l'entrée».
L'air arrive dans le système par l'orifice "P", il déplace le clapet d'étanchéité vers "R" et alimente l'orifice "A" (Fig 1).
Lorsque la pression "P" diminue le clapet se déplace de "R" à "P" en raison de la différence de pression du système et met l'orifice "A" à l'échappement sur l'orifice "R" (Fig. 2).
Cette vanne permet de purger rapidement un système et ainsi d'augmenter le nombre de cycle de travail.
Sur la sortie de purge "R", il est conseillé de monter un silencieux d'échappement ou si nécessaire, d'utiliser le flux d'air comme signal ou autres applications.

ES

En la norma UNI ISO 5598 este artículo viene así definido: "Válvula que la salida de la misma viene inmediatamente abierta a escape cada vez que cae la presión del aire a la entrada."
El aire proveniente de la instalación entra por P desplaza la membrana excluyendo el escape R y va a la salida A (Fig. 1).
En el momento en que no hay presión a la entrada P, el aire que se encuentra en la salida por diferencia de presión desplaza la membrana excluyendo P y sale por el escape R (Fig. 2).
Estas válvulas permiten una mayor rapidez de escape agilizando los ciclos de trabajo.
A la salida R es siempre conveniente montar un silenciador, o también con oportunas conexiones se puede reutilizar el flujo para otras señales o utilizaciones.

PT

Na norma UNI ISO 5598 este item vem definido da seguinte forma: "Válvula que imediatamente abre sua saída à exaustão sempre que a pressão do ar de entrada caia". O ar proveniente da rede de ar entra na conexão "P", movimenta o tampão (item 3) vedando o escape "R" da válvula e sai pela conexão de utilização "A" (Fig. 1).
No momento em que a pressão cai na entrada "P" da válvula all'ingresso P, o ar que se encontra em utilização retorna devido a diferença de pressão e movimenta o tampão fechando a entrada "P" e abrindo a passagem do escape "R" (Fig. 2).
Estas válvulas permitem desta forma uma maior rapidez de escape aumentando a tornando mais velozes os ciclos de trabalho. Na saída de "R" é sempre aconselhável a utilização de um silenciador ou se necessário utilizar este fluxo para sinalizações ou outros usos.



Fluidi compatibili
Aria compressa

Fluids
Compressed air

Geeignete Medien
Druckluft

Fluides compatibles
Air comprimé

Fluidos compatibles
Aire comprimido

Fluidos compatíveis
Ar comprimido

ATTENTION!



Lo scarico in ambiente esclude l' utilizzo della valvola con gas tossici, corrosivi, infiammabili.
The free exhaust to atmosphere do not allow to use the valve with toxics, corrosives and inflammables gas.
Durch das entweichen in die umwelt ist der einsatz mit giftigen, ätzenden oder entzündbaren gasen verboten.
L'échappement libre dans l'atmosphère ne permet pas d'utiliser ces vannes avec des gazes toxiques, corrosives et inflammables .
El escape a atmosfera excluye el uso de la válvula con gases toxicos, corrosivos o inflamables.
No caso de escape para a atmosfera não é permitida a utilização desta válvula com gases tóxicos, corrosivos e inflamáveis.



Filettatura

Gas cilindrica conforme ISO 228.
Metrica conforme ISO R/262.

IT

Threads

Parallel gas in conformity with ISO 228.
Metric in conformity with ISO R/262.

GB

Gewindearten

Zylindrisches Gewinde nach Norm ISO 228.
Metrisches Gewinde nach Norm ISO R/262.

DE

Filetages

Filetage cylindrique conforme ISO 228.
Filetage métrique conforme: ISO R/262.

FR

Roscas

Gas cilindrica conforme ISO 228.
Métrica conforme ISO R/262.

ES

Roscas

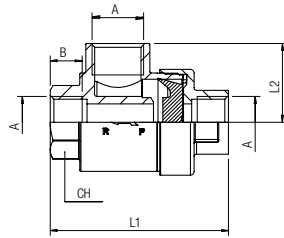
Gas paralela conforme ISO 228.
Métrica conforme ISO R/262.

PT

6050

VALVOLA A SCARICO RAPIDO

QUICK EXHAUST VALVE
SCHNELLENTLÜFTUNGSVENTILE
VANNE À PURGE RAPIDE
VÁLVULA DE ESCAPE RÁPIDO
VÁLVULA DE ESCAPE RÁPIDO

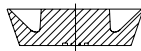
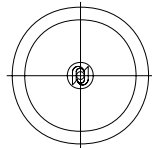


Code	A	B	L1	L2	CH	Pack.
06050 00 001	M5	4	25	10	17	10
06050 00 002	1/8	8.5	37	18.5	14	10
06050 00 003	1/4	11	54	25	19	10
06050 00 004	3/8	12	60.5	26.5	22	10
06050 00 005	1/2	15	72	32	26	10
06050 00 006	3/4	18.5	88	37	32	5
06050 00 007	1"	19	109	48	46	1


6052

TAMPONE PER VALVOLA A SCARICO RAPIDO IN NBR

PAD FOR QUICK EXHAUST VALVE MADE IN NBR
MEMBRANE NBR FÜR SCHNELLENTLÜFTUNGSVENTILE
MEMBRANE NBR POUR PURGE RAPIDE
MEMBRANA PARA VÁLVULA DE ESCAPE RÁPIDO EN NBR
TAMPÃO PARA VÁLVULA DE ESCAPE RÁPIDO EM NBR



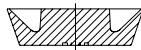
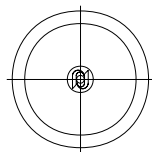
Code	Size	Pack.
06052 00 29 B5 00	M5	20
06052 00 29 02 00	1/8	20
06052 00 29 03 00	1/4	20
06052 00 29 04 00	3/8	10
06052 00 29 05 00	1/2	10
06052 00 29 07 00	3/4	5
06052 00 29 09 00	1"	5

	min	max
 Temperature	- 20 °C	+ 80 °C


6052

TAMPONE PER VALVOLA A SCARICO RAPIDO IN POLIURETANO

PAD FOR QUICK EXHAUST VALVE MADE IN POLYURETHANE
MEMBRANE POLYURETHAN FÜR SCHNELLENTLÜFTUNGSVENTILE
MEMBRANE EN POLYURETHANE POUR PURGE RAPIDE
MEMBRANA PARA VÁLVULA DE ESCAPE RÁPIDO EN POLIURETANO
TAMPÃO PARA VÁLVULA DE ESCAPE RÁPIDO EM POLIURETANO



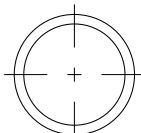
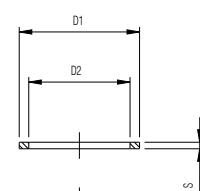
Code	Size	Pack.
06052 00 35 02 00	1/8	20
06052 00 35 03 00	1/4	20
06052 00 35 05 00	1/2	10
06052 00 35 07 00	3/4	5

	min	max
 Temperature	- 30 °C	+ 100 °C

6053

GUARNIZIONE COPERCHIO

CAP SEAL
ABDECKUNGSDICHTUNG
JOINT POUR COUVERCLE
JUNTA TAPA
VEDAÇÃO DA COBERTURA



Code	Size	D1	D2	S	Pack.
06053 00 25 B5 00	M5	15.8	13	1	20
06053 00 25 02 00	1/8	24	20.2	1.3	20
06053 00 25 03 00	1/4	29	25.4	1.5	20
06053 00 25 04 00	3/8	33.5	28	1.5	10
06053 00 25 05 00	1/2	38.8	32	1.5	10
06053 00 25 07 00	3/4	43	38	1.5	5
06053 00 25 09 00	1"	68.5	60.5	3.4	5

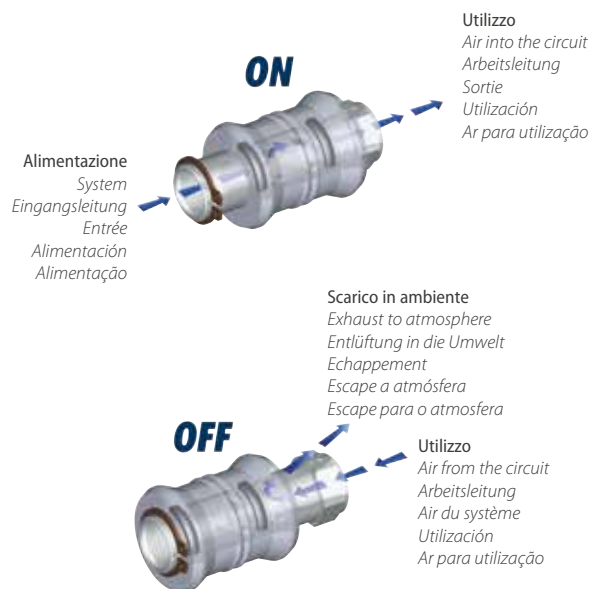
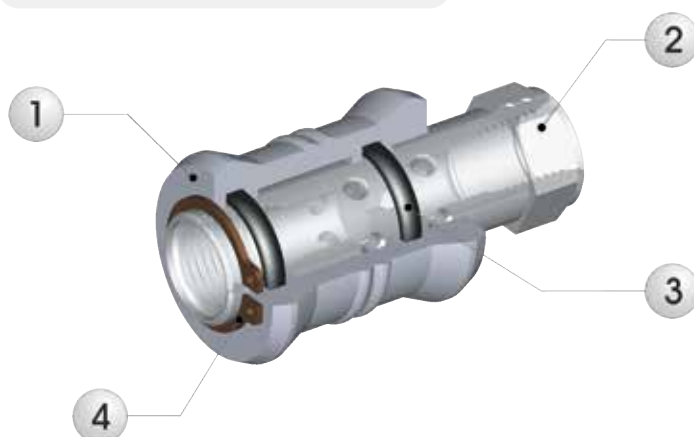
VALVOLE A CORSOIO

SLIDE VALVE
HANDSCHIEBEVENTILE
VANNE COULISSANTE
VÁLVULAS DE CORREDERA
VÁLVULAS DESLIZANTES



CARATTERISTICHE TECNICHE

TECHNICAL CHARACTERISTICS
TECHNISCHE ANGABEN
CARACTÉRISTIQUES TECHNIQUES
CARACTERÍSTICAS TÉCNICAS
CARACTERÍSTICAS TÉCNICAS



Materiali e Componenti

IT

- 1 Manicotto in Alluminio anodizzato
- 2 Stelo in Ottone cromato
- 3 Guarnizione O-Ring in NBR
- 4 Seeger in acciaio

Component Parts and Materials

GB

- 1 Grey anodized Aluminium Sleeve
- 2 Chrome-Nickel plated Brass Stem
- 3 NBR O-RING Seals
- 4 Steel Seeger

Komponenten und Materialien

DE

- 1 Schieberhülse Aluminium eloxiert
- 2 Gehäuse Messing verchromt
- 3 O-Ring NBR
- 4 Seegering Stahl

Matériaux et Composants

FR

- 1 Manchon coulissant: aluminium anodisé
- 2 Corps: laiton chromé
- 3 Joint torique: NBR
- 4 Circlips: acier

Materiales y Componentes

ES

- 1 Corredera en aluminio anodizado
- 2 Eje en latón cromado
- 3 Junta tórica O-Ring en NBR
- 4 Seeger en acero

Materiais e Componentes

PT

- 1 Manopla em Alumínio anodizado
- 2 Haste me Latão cromado
- 3 Vedação O-Ring em NBR
- 4 Anel de retenção seeger em aço

Le valvole a corsoio possono essere considerate valvole di intercettazione ON-OFF con la variante che in posizione di chiuso lasciano defluire l'aria dell'utilizzo in ambiente, scaricando quindi la pressione nell'impianto a valle.

Nella posizione ON l'aria proveniente dall'impianto si convoglia verso l'utilizzo attraverso il collegamento dei fori radiali sullo stelo della valvola.

Spostando il manicotto in posizione OFF si esclude il collegamento tra impianto e utilizzo e l'aria che si trova in quest'ultimo, defluisce automaticamente in ambiente per differenza di pressione.

The slide valve can be considered a reversing valves ON-OFF with the variant that in the closed position it allows the used air to flow out to atmosphere.

More detailed: in the opened position the air which comes from the system directs itself towards the circuit across the connection of the radial holes on the stem of the valve.

Throwing the sleeve in the closed position You leave out the connection of the radial holes and the air which is still in the circuit due to the difference of pressure with the atmosphere, flows out automatically.

Das Handschiebeventil kann als ein ON-OFF Absperrventil verwendet werden, mit dem Unterschied, dass die gebrauchte Luft in der geschlossenen Positionen entlüftet werden kann.

D.h. in der geöffneten Stellung fließt die Luft, welche vom System kommt, selbstständig durch den Anschluss in den Kreislauf.

Wenn Sie die Hülse in Schliessposition schieben, entweicht die im Kreislauf verbliebene Luft automatisch durch die Bohrungen in die Umwelt.

La vanne coulissante peut être considérée comme une vanne ON-OFF avec en position fermée une purge du système en aval.

En position ouverte les orifices latéraux sont fermés par le manchon coulissant et l'air circule au travers de la vanne.

En faisant coulisser le manchon (position fermée), l'alimentation est coupée. L'air situé en aval est libéré dans l'environnement à travers les orifices latéraux (purge de machine).

Las válvulas de corredera se pueden considerar válvulas de paso ON-OFF con la variante que en la posición OFF dejan fluir el aire de la utilización al ambiente, descargando la presión del circuito.

En la posición ON el aire proveniente del circuito pasa a la utilización a través de la conexión de los taladros radiales del eje de la válvula.

Desplazando la válvula en posición OFF se cierra la conexión entre circuito y utilización, y el aire que se encuentra en la utilización fluye automáticamente al ambiente por diferencia de presión.

As válvulas deslizantes podem ser consideradas válvulas de intercepção ON-OFF com a variante que em posição fechada, despressurizam o sistema, descarregando desta forma a pressão à sua frente.

Com a manopla na posição ON o ar proveniente de rede atinge a utilização através dos furos radiais existentes na válvula.

Colocando-se a manopla na posição "OFF" a entrada de ar pelos furos radiais é fechada e, desta forma a pressão em utilização retorna por diferença de pressão e é descarregada para a atmosfera por dentro da manopla.



Pressioni

Pressures

Druckbereich

Pressions

Presiones

Pressões

-0.99 bar (0.099 MPa)

10 bar (1.0 MPa)



Temperature

Temperatures

Temperatur

Températures

Temperaturas

Temperaturas

- 20 °C

+ 80 °C



Fluidi compatibili

Aria compressa

Fluids

Compressed air

Geeignete Medien

Druckluft

Fluides compatibles

Air comprimé

Fluidos compatibles

Aire comprimido

Fluidos compatíveis

Ar comprimido



Filettatura

IT

Threads

GB

Gewindearten

DE

Gas cilindrica conforme ISO 228.

Parallel gas in conformity with ISO 228.

Zylindrisches Gewinde nach Norm ISO 228.

Filetages

FR

Roscas

ES

Roscas

PT

Filetage cylindrique conforme ISO 228.

Gas cilíndrica conforme ISO 228.

Gas paralela conforme ISO 228.

6060

VALVOLA A CORSOIO

SLIDE VALVE

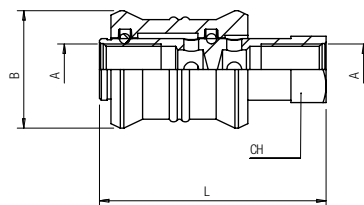
HANDSCHIEBEVENTILE

VANNE COULISSANTE

VÁLVULA DE CORREDERA

VÁLVULA DESLIZANTE

Code	A	B	L	CH	Pack.
06060 00 001	1/8	25	48	14	10
06060 00 002	1/4	30	58	17	10
06060 00 003	3/8	35	70	22	5
06060 00 004	1/2	40	80	26	5



VALVOLE UNIDIREZIONALI O DI NON RITORNO

UNIDIRECTIONAL VALVES OR NON RETURN VALVES
RÜCKSCHLAGVENTILE
CLAPET ANTI-RETOUR
VÁLVULAS UNIDIRECCIONALES O ANTIRETORNO
VÁLVULAS UNIDIRECCIONAIS OU ANTI-RETOURNO



CARATTERISTICHE TECNICHE

TECHNICAL CHARACTERISTICS
TECHNISCHE ANGABEN
CARACTÉRISTIQUES TECHNIQUES
CARACTERÍSTICAS TÉCNICAS
CARACTERÍSTICAS TÉCNICAS



Norma di Riferimento

Reference standard

Entspricht der Norm

Norme de référence

Normativa de referencia

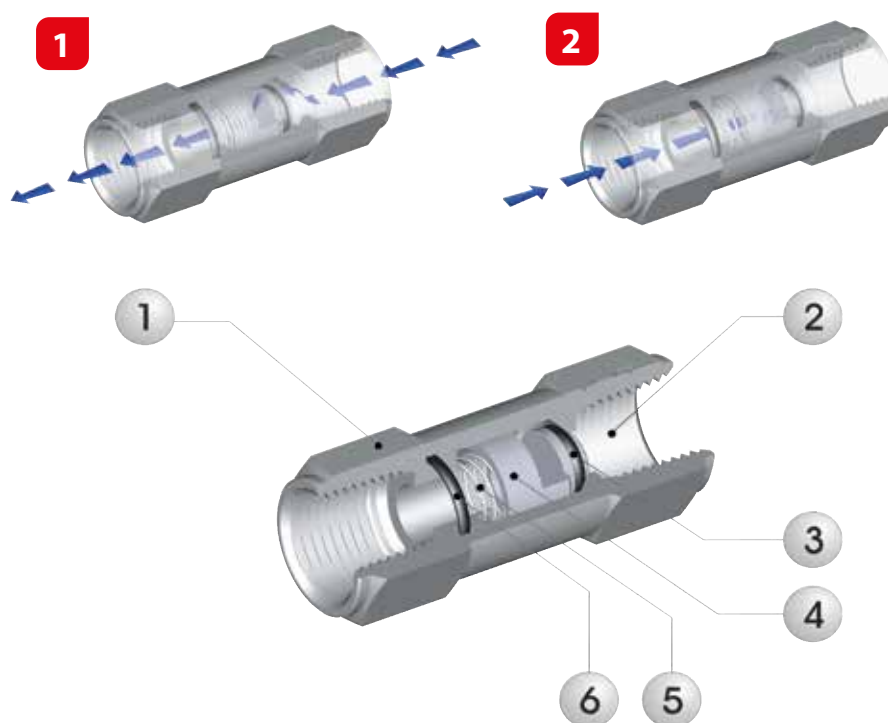
Norma de referência

1907/2006
REACH ✓

2011/65/CE
RoHS ✓

PED
2014/68/UE

SILICON
FREE



Materiali e Componenti

IT

- 1 Corpo in ottone nichelato
- 2 Attacco Terminale in ottone nichelato
- 3 Guarnizione O-Ring in NBR
- 4 Otturatore in ottone nichelato o Resina Acetalica
- 5 Molla di mantenimento in acciaio AISI 302
- 6 Guarnizione O-Ring in NBR

Component Parts and Materials

GB

- 1 Nickel-plated Brass Body
- 2 Nickel-plated Brass Valve Back Part
- 3 NBR O-RING Seals
- 4 Nickel-plated or Acetalic Resin Brass Shutter
- 5 Steel AISI 302 Keep spring
- 6 NBR O-RING Seals

Komponenten und Materialien

DE

- 1 Körper Messing vernickelt
- 2 Ventilhinterteil Messing vernickelt
- 3 O-Ring NBR
- 4 Verschlusskappe Messing vernickelt oder Lösering Acetal
- 5 Feder Edelstahl AISI 302
- 6 O-Ring NBR

Matériaux et Composants

FR

- 1 Corps: laiton nickelé
- 2 Embase fileté: laiton nickelé
- 3 Joint torique: NBR
- 4 Clapet: laiton nickelé ou Résine acétal
- 5 Ressort: acier inoxydable AISI 302
- 6 Joint torique: NBR

Materiales y Componentes

ES

- 1 Cuerpo en latón niquelado
- 2 Parte posterior en latón niquelado
- 3 Junta tórica O-Ring en NBR
- 4 Obturador en latón niquelado o resina acetálica
- 5 Muelle de mantenimiento en acero AISI 302
- 6 Junta tórica O-Ring en NBR

Materiais e Componentes

PT

- 1 Corpo in Latão Niquelado
- 2 Parte traseira da válvula em Latão niquelado
- 3 Vedação O-Ring em NBR
- 4 Obturador em Latão niquelado ou Resina Acetalica
- 5 Mola de manutenção em aço AISI 302
- 6 Vedação O-Ring em NBR

<p>IT</p> <p>Questo tipo di valvole permette il libero passaggio in un solo senso (quello indicato dalla freccia) e lo impedisce nel senso contrario.</p> <p>Azionate direttamente dall'aria che le attraversa, vengono normalmente impiegate come dispositivi di sicurezza, consentendo di mantenere in pressione una parte del circuito pur mandando a scarico l'alimentazione.</p>	<p>GB</p> <p>This kind of valves allow the free passage in only one direction, the one showed with the arrow marked on the body. They do not allow the passage on the opposite way, i.e non return.</p> <p>They operate directly with the air that goes through, they are normally used as safety device, permitting to keep pressure in a part of the circuit, also when the feeding pressure has been taked off.</p>	<p>DE</p> <p>Diese Art von Ventilen ermöglicht einen freien Durchgang in einer Richtung (wie durch den Pfeil angedeutet) und blockiert den Durchfluss des Mediums in die Gegenrichtung. Bei Druckabfall unter die durch eine Feder festgelegte Ansprechgrenze sperrt eine Verschlusskappe den Durchgang ab.</p> <p>Kompakt und platzsparend sind diese Rückschlagventile ein Sicherheitselement, das sich perfekt in den Kreislauf einfügt.</p>
<p>FR</p> <p>Cette vanne permet le libre passage du fluide dans la direction marquée par la flèche indiquée sur le corps. Elle ne permet pas le passage en sens inverse. Elle est autonome et fonctionne directement avec le fluide qui la traverse.</p> <p>Elle est régulièrement utilisée comme dispositif de sécurité, permettant de maintenir la pression dans une partie du circuit lorsque la pression d'alimentation est coupée.</p>	<p>ES</p> <p>Este tipo de válvulas permiten el libre paso en un sólo sentido (indicado por la flecha en el cuerpo) y lo impide en el sentido contrario.</p> <p>Accionadas directamente por el aire, vienen normalmente utilizadas como dispositivos de seguridad, consintiendo en mantener en presión una parte del circuito, incluso cuando no existe presión en la alimentación.</p>	<p>PT</p> <p>Este tipo de válvulas permite a libertação da passagem em apenas um sentido (aquele indicado pela seta) e impedir o fluxo no sentido contrário.</p> <p>Acionadas diretamente pelo ar que as atravessa, são normalmente aplicadas como dispositivos de segurança, permitindo a manutenção da pressão em uma parte do circuito mesmo quando a alimentação da pressão é retirada.</p>



Pressione Max

Max Pressures

Max Druckbereich

Pressions Max

Presiones Max

Pressões Max

8 bar (0.8 MPa)

Pressione minima di chiusura garantita

Guaranteed minimum closing pressure

Garantierter minimaler Schließdruck

Pression de fermeture minimale garantie

Presión mínima garantizada de cierre

Pressão de fechamento mínima garantida

2 bar (0.2 MPa)

Pressione indicativa apertura

Approximate opening pressure

Öffnungsdruck

Pression d'ouverture

Presión indicativa de apertura

Pressão de abertura aproximada

0.2 bar (0.02 MPa)



Temperature

Temperatures

Temperatur

Températures

Temperaturas

Temperaturas

- 20 °C

+ 80 °C

Con Guarnizioni FKM

With FKM Seals

Mit FKM Dichtung

Avec joints FKM

Con juntas FKM

Com Vedação em FKM

6062	6063
- 15 °C	- 15 °C
+ 200 °C	+ 200 °C



Fluidi compatibili

Aria compressa

Fluids

Compressed air

Geeignete Medien

Druckluft

Fluides compatibles

Air comprimé

Fluidos compatibles

Aire comprimido

Fluidos compatíveis

Ar comprimido

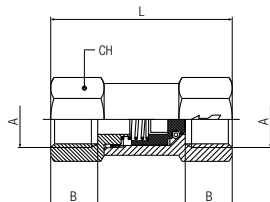


<p>Filettatura</p> <p>Metrica conforme ISO R/262.</p> <p>Gas cilíndrica conforme ISO 228.</p>	<p>IT</p> <p>Threads</p> <p>Metric in conformity with ISO R/262.</p> <p>Parallel gas in conformity with ISO 228.</p>	<p>GB</p> <p>Gewindearten</p> <p>Metrisches Gewinde nach Norm ISO R/262.</p> <p>Zylindrisches Gewinde nach Norm ISO 228.</p>
<p>FR</p> <p>Filetages</p> <p>Filetage métrique conforme ISO R/262.</p> <p>Filetage cylíndrique conforme: ISO 228.</p>	<p>ES</p> <p>Roscas</p> <p>Métrica conforme ISO R/262.</p> <p>Gas cilíndrica conforme ISO 228.</p>	<p>PT</p> <p>Roscas</p> <p>Métrica conforme ISO R/262.</p> <p>Gas paralela conforme ISO 228.</p>

6062

VALVOLA UNIDIREZIONALE FEMMINA-FEMMINA

FEMALE-FEMALE NON RETURN VALVE
RÜCKSCHLAGVENTIL INNEN- / INNENGEWINDE
CLAPET ANTI-RETOUR, FEMELLE/FEMELLE
VÁLVULA UNIDIRECCIONAL HEMBRA-HEMBRA
VÁLVULA UNIDIRECCIONAL FÊMEA-FÊMEA

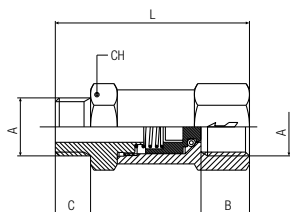


Code NBR	Code FKM	A	B	L	CH	Pack.
06062 00 001	06062 00 006	M5	5.5	26.5	8	10
06062 00 002	06062 00 007	1/8	8.5	35.5	13	10
06062 00 003	06062 00 008	1/4	11	43	17	10
06062 00 004	06062 00 009	3/8	12	58	24	10
06062 00 005	06062 00 010	1/2	15	63	24	10

6063

VALVOLA UNIDIREZIONALE MASCHIO-FEMMINA

MALE-FEMALE NON-RETURN VALVE
RÜCKSCHLAGVENTIL AUSSEN- / INNENGEWINDE
CLAPET ANTI-RETOUR, MÂLE-FEMELLE
VÁLVULA UNIDIRECCIONAL MACHO-HEMBRA
VÁLVULA ANTI-RETORNO MACHO-FÊMEA



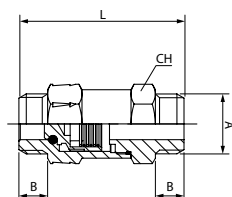
Code NBR	Code FKM	A	B	C	L	CH	Pack.
06063 00 001	06063 00 006	M5	5.5	4	34.5	8	10
06063 00 002	06063 00 007	1/8	8.5	6	37.5	14	10
06063 00 003	06063 00 008	1/4	11	8	46.5	17	10
06063 00 004	06063 00 009	3/8	12	9	61	24	10
06063 00 005	06063 00 010	1/2	15	10	64	24	10

6162

New

VALVOLA DIREZIONALE MASCHIO - MASCHIO

MALE-MALE NON-RETURN VALVE
RÜCKSCHLAGVENTIL AUSSEN - AUSSENGEWINDE
CLAPET ANTI-RETOUR, MÂLE - MÂLE
VÁLVULA DIRECCIONAL MACHO-MACHO
VÁLVULA ANTI-RETORNO MACHO-MACHO



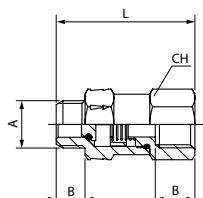
Code	A	B	L	CH	Pack.
06162 00 001	M5	4	33.5	8	10
06162 00 002	1/8	6	34	14	10
06162 00 003	1/4	8	42	17	10
06162 00 004	3/8	9	55.5	24	10
06162 00 005	1/2	10	57.5	24	10

6163

New

VALVOLA DIREZIONALE MASCHIO- FEMMINA

MALE-FEMALE NON-RETURN VALVE
RÜCKSCHLAGVENTIL AUSSEN - INNENGEWINDE
CLAPET ANTI-RETOUR, MÂLE - FEMELLE
VÁLVULA DIRECCIONAL MACHO - HEMBRA
VÁLVULA ANTI-RETORNO MACHO - FÊMEA



Code	A	B	L	CH	Pack.
06163 00 001	M5	4	24.5	8	10
06163 00 002	1/8	6	32	13	10
06163 00 003	1/4	8	38.5	17	10
06163 00 004	3/8	9	52	24	10
06163 00 005	1/2	10	56.5	24	10



Caratteristiche di flusso con scarico d'aria libero

Flow characteristics with exhaust air free

Durchflusswerte mit offenem Durchgang

Caractéristiques du débit - passage libre ouvert

Características de caudal con escape de aire libre

Características de vazão com saída de ar livre



Caratteristiche di flusso con perdite di carico di 1 bar

Flow characteristics and pressure drop of 1 bar

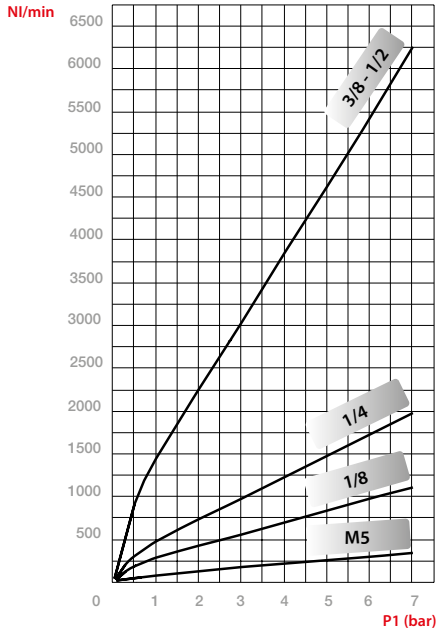
Durchflusswerte mit einem Druckabfall von 1 bar

Caractéristiques du débit- perte de charge 1 bar

Características de caudal con pérdida de carga de 1 bar

Características de vazão com com perda de carga de 1 bar

6062 - 6063 - 6162 - 6163



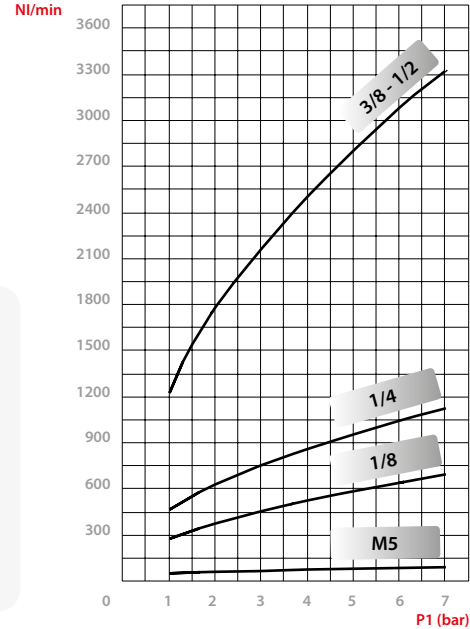
NI/min

Portata d'aria Q a 0 ° C e 1013 mbar
Air rate Q at 0 ° C and 1013 mbar
Luftstrom Q bei 0 ° C und 1013 mbar
Débit d'air Q à 0 ° C et 1 013 mbar
Caudal de Aire Q 0 ° C e 1013 mbar
Vazão de ar Q 0 ° C e 1013 mbar

P1 (bar)

Pressione di entrata
Inlet pressure
Eingangsdruk
Pression d'entrée
Presión de entrada
Pressão de entrada

6062 - 6063 - 6162 - 6163



6064

VALVOLA UNIDIREZIONALE AUTOMATICA

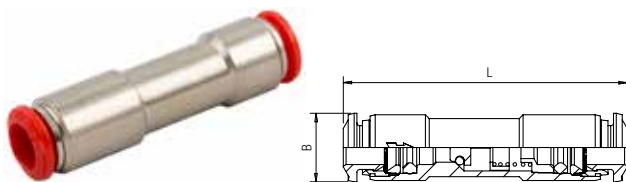
PUSH-IN CONNECTIONS NON-RETURN VALVE

RÜCKSCHLAGVENTIL MIT STECKANSCHLUSS

CLAPET ANTI-RETOUR, CONNEXION INSTANTANEE

VÁLVULA UNIDIRECCIONAL TUBO-TUBO

VÁLVULA ANTI-RETORNO COM CONEXÕES PUSH-IN



Code	Tube	L	B	Pack.
06064 00 001	4	44.5	10	10
06064 00 002	6	52	12.5	10
06064 00 003	8	56	14	10



Portata (NI/min) 6064

Flow rate (NI/min) 6064

Fluss (NI/min) 6064

Débit (NI/min) 6064

Caudal (NI/min) 6064

Vazão (NI/min) 6064

Ø	ΔP=0,5	ΔP=1	ΔP=0*
4	85	120	205
6	110	330	470
8	260	600	1110

* Scarico libero - Exhaust Free - Kostenlose Auspuff - Échappement libre - Escape Libre - Descarga livre.

57065

RACCORDO DIRITTO MASCHIO CILINDRICO CON VALVOLA UNIDIREZIONALE

NON-RETURN - PUSH-IN - PARALLEL THREAD

RÜCKSCHLAGVENTIL - DURCHFLOSS VOM STECKANSCHLUSS ZU ZYLINDRISCHEM AUSSENGEWINDE

CLAPET ANTI-RETOUR - CONNEXION INSTANTANEE - FILETAGE MALE

VALVOLA UNIDIRECCIONAL - TUBO - ROSCA MACHO

VÁLVULA ANTI-RETORNO - CONEXOES PUSH-IN - ROSCA MACHO



Code	Tube	A	B	C	D	L	CH	Pack.
57065 00 001	4	M5	3.6	7.5	9.8	37	8	10
57065 00 002	4	1/8	5.4	13	9.8	40.5	11	10
57065 00 003	6	1/8	5.4	13	12.5	46	12	10
57065 00 004	6	1/4	8	13	12.5	30	12	10
57065 00 005	8	1/8	5.4	13.8	14	47	12	10
57065 00 006	8	1/4	8	16	14	30.5	14	10
57065 00 007	10	1/4	8	16	17	34.5	17	10
57065 00 008	10	3/8	9	20	17	34.5	17	10
57065 00 009	12	3/8	9	20	19.5	39	20	10
57065 00 010	12	1/2	10	25	19.5	44	20	10

New

VALVOLA UNIDIREZIONALE O DI NON RITORNO - CW 510L

CW 510 L - UNIDIRECTIONAL VALVES OR NON RETURN VALVES
 RÜCKSCHLAGVENTILE - CW 510 L
 CLAPET ANTI-RETOUR - CW 510 L
 VÁLVULAS UNIDIRECCIONALES O ANTIRETORNO - CW 510 L
 VÁLVULAS UNIDIRECIONAIS OU ANTI-RETORNO - CW 510 L



CARATTERISTICHE TECNICHE

TECHNICAL CHARACTERISTICS
 TECHNISCHE ANGABEN
 CARACTÉRISTIQUES TECHNIQUES
 CARACTERÍSTICAS TÉCNICAS
 CARACTERÍSTICAS TÉCNICAS



Norma di Riferimento

Reference standard

Entspricht der Norm

Norme de référence

Normativa de referencia

Norma de referência

1907/2006

REACH ✓

2011/65/CE

RoHS ✓

M.O.C.A.

1935/2004

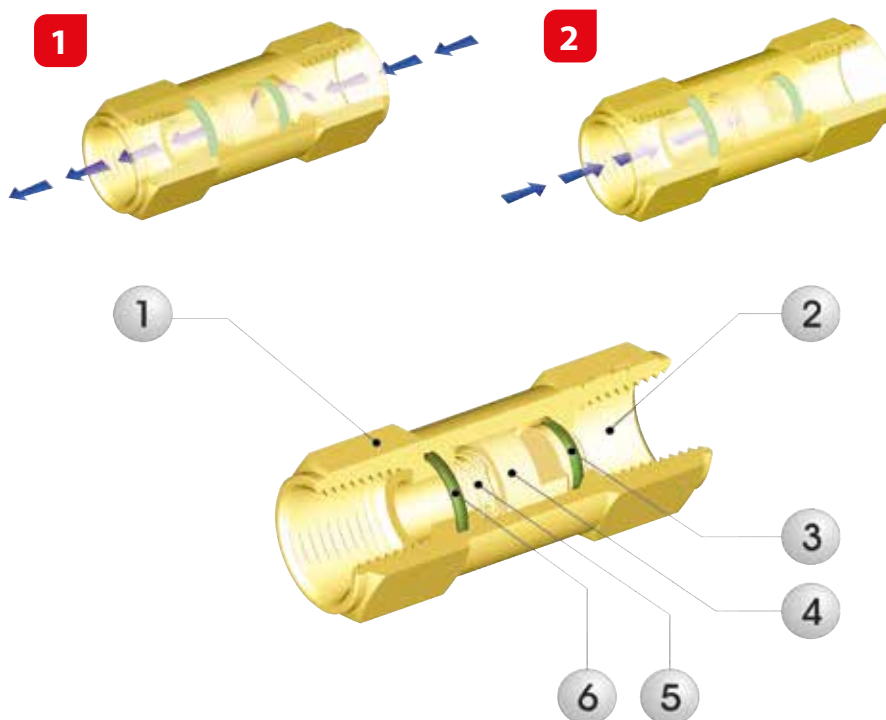
CE

PED

2014/68/UE

SILICON

FREE



Materiali e Componenti

IT

- 1 Corpo in Ottone CW510L
- 2 Attacco Terminale in ottone CW510L
- 3 Guarnizione O-ring FKM Alimentare
- 4 Otturatore in ottone CW510L
- 5 Molla di mantenimento in acciaio AISI 302
- 6 Guarnizione O-ring FKM Alimentare

Component Parts and Materials

GB

- 1 CW510L brass body
- 2 CW510L Brass Valve Back Part
- 3 O-Ring seal in FKM Food
- 4 CW510L Brass Shutter
- 5 Steel AISI 302 Keep spring
- 6 O-Ring seal in FKM Food

Komponenten und Materialien

DE

- 1 Körper Messing CW510L
- 2 Ventilhinterteil Messing CW510L
- 3 O-Ringdichtung FKM lebensmittelkonform
- 4 Verschlusskappe Messing CW510L
- 5 Feder Edelstahl AISI 302
- 6 O-Ringdichtung FKM lebensmittelkonform

Matériaux et Composants

FR

- 1 Corps en laiton CW510L
- 2 Embase fileté: laiton CW510L
- 3 Joint O-ring FKM qualité alimentaire
- 4 Clapet: Laiton CW510L
- 5 Ressort: acier inoxydable AISI 302
- 6 Joint O-ring FKM qualité alimentaire

Materiales y Componentes

ES

- 1 Cuerpo en latón CW510L
- 2 Parte posterior en latón CW510L
- 3 Junta tórica en FKM alimentario
- 4 Obturador en latón CW510L
- 5 Muelle de mantenimiento en acero AISI 302
- 6 Junta tórica en FKM alimentario

Materiais e Componentes

PT

- 1 Corpo em latão CW510L
- 2 Parte traseira da válvula em Latão CW510L
- 3 Vedação o-ring em FKM alimentício
- 4 Obturador em Latão CW510L
- 5 Mola de manutenção em aço AISI 302
- 6 Vedação o-ring em FKM alimentício

IT

Questo tipo di valvole permette il libero passaggio in un solo senso (quello indicato dalla freccia) e lo impedisce nel senso contrario.

Azionate direttamente dall'aria che le attraversa, vengono normalmente impiegate come dispositivi di sicurezza, consentendo di mantenere in pressione una parte del circuito pur mandando a scarico l'alimentazione.

GB

This kind of valves allow the free passage in only one direction, the one showed with the arrow marked on the body. They do not allow the passage on the opposite way, i.e. non return.

They operate directly with the air that goes through, they are normally used as safety device, permitting to keep pressure in a part of the circuit, also when the feeding pressure has been taken off.

DE

Diese Art von Ventilen ermöglicht einen freien Durchgang in einer Richtung (wie durch den Pfeil angedeutet) und blockiert den Durchfluss des Mediums in die Gegenrichtung. Bei Druckabfall unter die durch eine Feder festgelegte Ansprechsgrenze sperrt eine Verschlusskappe den Durchgang ab.

Kompakt und platzsparend sind diese Rückschlagventile ein Sicherheitselement, das sich perfekt in den Kreislauf einfügt.

FR

Cette vanne permet le libre passage du fluide dans la direction marquée par la flèche indiquée sur le corps. Elle ne permet pas le passage en sens inverse. Elle est autonome et fonctionne directement avec le fluide qui la traverse.

Elle est régulièrement utilisée comme dispositif de sécurité, permettant de maintenir la pression dans une partie du circuit lorsque la pression d'alimentation est coupée.

ES

Este tipo de válvulas permiten el libre paso en un sólo sentido (indicado por la flecha en el cuerpo) y lo impide en el sentido contrario.

Accionadas directamente por el aire, vienen normalmente utilizadas como dispositivos de seguridad, consintiendo en mantener en presión una parte del circuito, incluso cuando no existe presión en la alimentación.

PT

Este tipo de válvulas permite a libertação da passagem em apenas um sentido (aquele indicado pela seta) e impedir o fluxo no sentido contrário.

Acionadas diretamente pelo ar que as atravessa, são normalmente aplicadas como dispositivos de segurança, permitindo a manutenção da pressão em uma parte do circuito mesmo quando a alimentação da pressão é retirada.



Pressione Max

Max Pressures

Max Druckbereich

Pressions Max

Presiones Max

Pressões Max

8 bar (0.8 MPa)

Pressione minima di chiusura garantita

Guaranteed minimum closing pressure

Garantierter minimaler Schließdruck

Pression de fermeture minimale garantie

Presión mínima garantizada de cierre

Pressão de fechamento mínima garantida

2 bar (0.2 MPa)

Pressione indicativa apertura

Approximate opening pressure

Öffnungsdruck

Pression d'ouverture

Presión indicativa de apertura

Pressão de abertura aproximada

0.2 bar (0.02 MPa)



Temperature

Temperatures

Temperatur

Températures

Temperaturas

Temperaturas

- 15 °C

+ 190 °C



Fluidi compatibili

Aria compressa / Vuoto / Acqua / Alimenti

Fluids

Compressed air / Vacuum / Water / Food

Geeignete Medien

Druckluft / Vakuum / Wasser / Lebensmittel

Fluides compatibles

Air comprimé / Vide / Eau / Boissons

Fluidos compatibles

Aire comprimido / Vacío / Agua / Alimentos

Fluidos compatíveis

Ar comprimido / Vácuo / Água / Alimentos



Filettatura

Gas cilindrica conforme ISO 228.

IT

Threads

Parallel gas in conformity with ISO 228.

GB

Gewindearten

Zylindrisches Gewinde nach Norm ISO 228.

DE

Filetages

Filetage cylindrique conforme: ISO 228.

FR

Roscas

Gas cilíndrica conforme ISO 228.

ES

Roscas

Gas paralela conforme ISO 228.

PT

6062**VALVOLA UNIDIREZIONALE FEMMINA-FEMMINA**

FEMALE-FEMALE NON RETURN VALVE

RÜCKSCHLAGVENTIL INNEN- / INNENGEWINDE

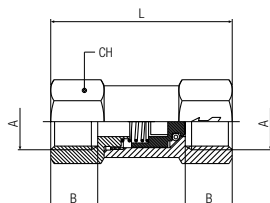
CLAPET ANTI-RETOUR, FEMELLE/FEMELLE

VÁVULA UNIDIRECCIONAL HEMBRA-HEMBRA

VÁLVULA UNIDIRECCIONAL FÊMEA-FÊMEA



Code	A	B	L	CH	Pack.
06062 000 07 CW	1/8	8.5	35.5	13	25
06062 000 08 CW	1/4	11	43	17	25



RACCORDI OTTURATI

STOP FITTING
SPERRVENTILVERSCHRAUBUNG
RACCORDS AVEC CLAPET
RACOR AUTOMATICO OBTURADO
CONEXAO PUSH-IN COM RETENÇÃO



CARATTERISTICHE TECNICHE

TECHNICAL CHARACTERISTICS
TECHNISCHE ANGABEN
CARACTÉRISTIQUES TECHNIQUES
CARACTERÍSTICAS TÉCNICAS
CARACTERÍSTICAS TÉCNICAS



Norma di Riferimento

Reference standard

Entspricht der Norm

Norme de référence

Normativa de referencia

Norma de referência

1907/2006

REACH

2011/65/CE

RoHS

PED
2014/68/UE

SILICON
FREE



1



2



Materiali e Componenti

IT

- 1 Corpo in Ottone nichelato
- 2 Spintore sgancio tubo in Ottone nichelato
- 3 Capsula in Ottone nichelato
- 4 Pinza d'aggraffaggio in Acciaio INOX AISI 301
- 5 Anello di sicurezza in tecnopolimero
- 6 Guarnizione sagomata in NBR
- 7 Molla in Acciaio INOX AISI 302
- 8 Guarnizioni in NBR
- 9 Otturatore in Ottone Nichelato

Component Parts and Materials

GB

- 1 Nickel-plated Brass Body
- 2 Nickel-plated brass Collet
- 3 Nickel-plated brass Capsule
- 4 Steel AISI 301 Clamping washer
- 5 Safety ring in Technopolymer
- 6 NBR molded seal
- 7 Steel AISI 302 Keep spring
- 8 NBR seals
- 9 Nickel-Plated Brass Shutter

Komponenten und Materialien

DE

- 1 Körper Messing vernickelt
- 2 Rohr Lösering Messing vernickelt
- 3 Haltering Messing vernickelt
- 4 Zahnscheibe Edelstahl AISI 301
- 5 Sicherheitsring im Technopolymer
- 6 Dichtung NBR
- 7 Feder Edelstahl AISI 302
- 8 Lippendichtung NBR
- 9 Verschluss Messing vernickelt

Matériaux et Composants

FR

- 1 Corps: laiton nickelé
- 2 Poussoir: Laiton nickelé
- 3 Capsule de retenue: Laiton nickelé
- 4 Rondelle d'accrochage: AISI 301
- 5 Anneau de sécurité à technopolymère
- 6 Joint: NBR
- 7 Ressort: acier inoxydable AISI 302
- 8 Joint en NBR
- 9 Lapet: Laiton nickelé

Materiales y Componentes

ES

- 1 Cuerpo en latón niquelado
- 2 Anillo de extracción tubo en latón niquelado
- 3 Cápsula en latón niquelado
- 4 Pinza de agarre en acero inox AISI 301
- 5 Anillo de seguridad en tecnopolímero
- 6 Junta de forma en NBR
- 7 Muelle de mantenimiento en acero AISI 302
- 8 Junta en NBR
- 9 Obturador en latón niquelado

Materiais e Componentes

PT

- 1 Corpo em Latão niquelado
- 2 Anilha de liberação em latão niquelado
- 3 Cápsula de latão niquelado
- 4 Pinça de travamento em aço-inox AISI 301
- 5 Anel de segurança em tecnopolímero
- 6 Vedação em NBR
- 7 Mola de manutenção em aço AISI 302
- 8 Vedação em NBR
- 9 Obturador em latão niquelado

L'inserimento del tubo nel raccordo determina lo spostamento dell'otturatore permettendo così il libero passaggio di aria. Lo sgancio del tubo invece determina la chiusura dell'otturatore con il conseguente arresto del flusso di aria proveniente dal raccordo.

IT

The connection with tube moves the shutter in order to let the air flow. Disconnection moves shutter back and shuts the air flow.

GB

Schlauchanschluss ermöglicht einen freien Durchgang in einer Richtung. Eine Schlauchtrennung blockiert den Durchgang.

DE

L'insertion du tube dans le raccord détermine le déplacement du clapet permettant le libre passage de l'air. La disconnection du tube, en revanche, provoque la fermeture du clapet avec pour conséquence l'arrêt du flux provenant du raccord.

FR

La inserción de la manguera en el conector determina el desplazamiento del obturador, permitiendo de esta manera el libre pasaje del aire. El desenganche de la manguera determina, en cambio, el cierre del obturador con el consiguiente bloque del flujo de aire que procede del conector.

ES

A conexão de tubo permite a liberação da passagem em apenas um sentido. A desconexão impede o fluxo no sentido contrário.

PT



Pressioni

Pressures

Druckbereich

Pressions

Presiones

Pressões

10 bar (1 MPa)



Temperature

Temperatures

Temperatur

Températures

Temperaturas

Temperaturas

- 20 °C

+ 80 °C



Fluidi compatibili

Aria compressa

Fluids

Compressed air

Geeignete Medien

Druckluft

Fluides compatibles

Air comprimé

Fluidos compatibles

Aire comprimido

Fluidos compatíveis

Ar comprimido



Tubi di Collegamento

IT

Tubi in materiale plastico:

PA6, PA11, PA12, Polietilene, *Poliuretano, PTFE, FEP.

*Per tubi in Poliuretano è consigliata una durezza di 98 shore.

Connection Tubes

GB

Plastic tubes:

PA6, PA11, PA12, Polyethylene, *Polyurethane, PTFE, FEP.

*For Polyurethane hoses it is required a minimum hardness of 98 shore.

Geeignete Rohre

DE

Kunststoffrohre:

PA6, PA11, PA 12, Polyethylene, *Polyurethan, PTFE, FEP.

*Für Polyurethan Rohre ist eine Härte von 98 Shore empfohlen.

Tubes Conseillés

FR

Tubes plastiques:

PA6, PA11, PA12, Polyéthylène, *Polyuréthane, PTFE, FEP.

*Pour les tubes en polyuréthane, il est conseillé une dureté de 98 Shore.

Tubos de Conexión

ES

Tubos en material plástico:

PA6, PA11, PA 12, Polietileno, *Poliuretano, PTFE, FEP.

*Para tubos en poliuretano es aconsejada una dureza de 98 shore.

Tubos de Conexão

PT

Tubos em material plástico:

PA6, PA11, PA12, Polietileno, *Poliuretano, PTFE, FEP.

*Para tubos em Poliuretano é requerida uma dureza de 98 shore.



Filettatura

IT

Gas cilindrica conforme ISO 228.

Threads

GB

Parallel gas in conformity with ISO 228.

Gewindearten

DE

Zylindrisches Gewinde nach Norm ISO 228.

Filetages

FR

Filetage cylindrique conforme: ISO 228.

Roscas

ES

Gas cilindrica conforme ISO 228.

Roscas

PT

Gas paralela conforme ISO 228.

57064

RACCORDO DIRITTO MASCHIO CILINDRICO OTTURATO

STOP FITTING - PARALLEL THREAD

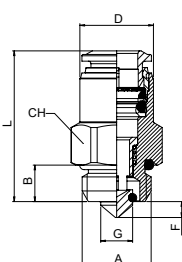
SPERRVENTILVERSCHRAUBUNG - ZYLINDRISCHEM AUSSENGEWINDE

RACCORDS AVEC CLAPET - FILETAGE MALE

RACOR AUTOMATICO OBTURADO - ROSCA MACHO

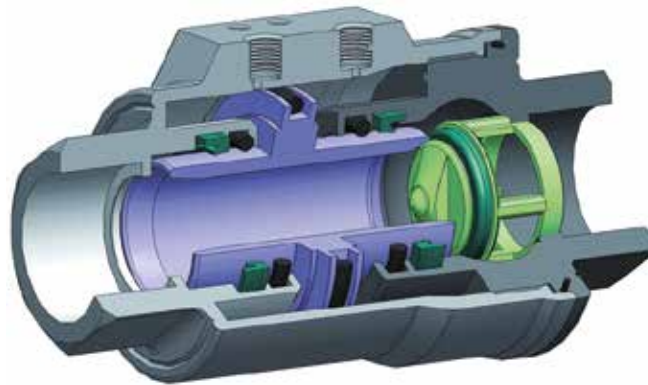
CONEXAO PUSH-IN COM RETENÇÃO - ROSCA MACHO

Code	Tube	A	B	D	L	CH	F	G	Pack.
57064 00 001	6	1/8	5.4	12.5	29	13	2.3	4.2	10
57064 00 002	6	1/4	7.1	12.5	30.5	16	2	4.2	10
57064 00 003	8	1/8	5.4	14.3	28	15	3.2	4.2	10
57064 00 004	8	1/4	7.1	14.3	29	16	3.1	6.2	10



VALVOLA COASSIALE DI INTERCETTAZIONE

COAXIAL VALVE
PNEUMATISCHES AXIALVENTIL
VANNE D'ARRÊT
VÁLVULA DE CIERRE
VÁLVULA DE INTERCEPTAÇÃO



Vantaggi principali

IT

Perdite di flusso ridotte grazie al pieno passaggio.
Funzionamento indipendente dalla pressione del circuito principale.
Compatibilità con numerosi fluidi, pressioni e temperature.
Non ci sono movimenti esterni alla valvola.
Installazione semplice e veloce, valvola con attuatore già incorporato.
Predisposizione alla modifica del funzionamento da NC a NO e a doppio effetto.

Rispetto al classico rubinetto con attuatore:
Costo inferiore - Dimensioni ridotte del 50% - Azionamenti 15 volte maggiori - Nelle applicazioni a semplice effetto la posizione è sicura e garantita con meno forza richiesta.

Applicazione:
Impianti aria compressa e strumentazione, Automazione pneumatica e fluidica, Life & sciences, Automotive, Circuiti acqua industriale.

Main advantages

GB

Less loss of flow thanks to the unobstructed passage.
Functioning is independent from the main circuit pressure. Full compatibility with different fluid, pressure and temperatures.
No external movement outside of the valve.
Easy and fast install, actuator is incorporated.
Easier Function modifying from NC to NO and double effect.

Compared to a valve with actuator:
Cheaper – Dimension are reduced of 50% - Electric Drives are 15-folded – In single effect application the position is secured and granted with less force.

Application:
Compressed air plant and machinery, hydraulic and pneumatic automation, Life & Science, Automotive, Automotive, Industrial water circuits.

Hauptvorteile

DE

Weniger Druckabfall dank vollem Durchfluss.
Die Funktion ist unabhängig vom Hauptkreislauf.
Volle Kompatibilität mit verschiedenen Flüssigkeiten, Druck und Temperaturen.
Keine externe Bewegung ausserhalb des Ventils.
Einfache und schnelle Installation mit integriertem Antrieb.
In drei Ausführungen erhältlich : NC, NO und Doppelleffekt

Im Vergleich zu einem Ventil mit externem Antrieb:
Günstiger: die Abmessungen werden um 50 % reduziert.
Lebensdauer ist 15-fach erhöht – bei der einfachwirkenden Ausführung ist die Position sicher und garantiert weniger Kraftaufwand.

Anwendungsbereiche:
Druckluftanlagen und –maschinen, hydraulische und pneumatische Automatisierung, Life & Sciences, Automotive und industrielle Kühlkreise

Principaux avantages

FR

Moins de perte de débit grâce au passage dégagé.
Le fonctionnement est indépendant de la pression du circuit principal.
Compatibilité totale avec différents fluides, pressions et températures.
Pas de mouvement externe à l'extérieur de la vanne.
Installation facile et rapide, l'actionneur est incorporé.
Fonction plus facile de modifier de NC à NO et double effet.

Par rapport à une vanne avec actionneur:
Moins cher - la dimension sont réduits de 50% - les entraînements électriques sont 15-pliés-en application à effet unique la position est sécurisée et accordée avec moins de force.

Application:
Usine et machines d'air comprimé, automatisation hydraulique et pneumatique, Life & sciences, automobile, automobile, circuits d'eau industriels.

Principales ventajas

ES

Pérdida de flujo reducido gracias al paso total.
Funcionamiento independiente de la presión del circuito principal.
Compatibilidad con numerosos fluidos, presiones y temperaturas.
No hay movimientos externos en la válvula.
Instalación simple y veloz, válvula con actuador ya incorporado.
Preparado para modificar el funcionamiento de NC a NA y a doble efecto.

Respecto a la clásica llave con actuador:
Coste inferior - Dimensiones reducidas un 50% - Accionamiento 15 veces más - En aplicaciones de simple efecto, la aplicación es segura y garantizada con una menor fuerza.

Aplicaciones:
Instalaciones de aire comprimido e instrumentación. Automatización neumática y de fluidos, Life & sciences. Automoción. Circuitos de agua industrial.

Vantagens principais

PT

Perda de fluxo reduzida graças à característica de passagem plena.
Funcionamento independente da pressão do circuito principal.
Compatibilidade com numerosos fluidos, pressões e temperaturas.
Não existem movimentos externos à válvula.
Instalação simples e veloz, válvula com atuador já incorporado.
Possibilidade de modificação do funcionamento de NC para NO e para dupla ação.

Respeito ao classico conceito de válvula com atuador:
Custo inferior - Dimensões reduzidas em 50% - Acionamentos 15 vezes maior - Nas aplicações de simples ação a posição é segura e garantida com menor força solicitada.

Aplicações:
Instalações de ar comprimido e instrumentação, Automação pneumática e fluidica, Life & sciences, Automotiva, Circuitos de água industrial.



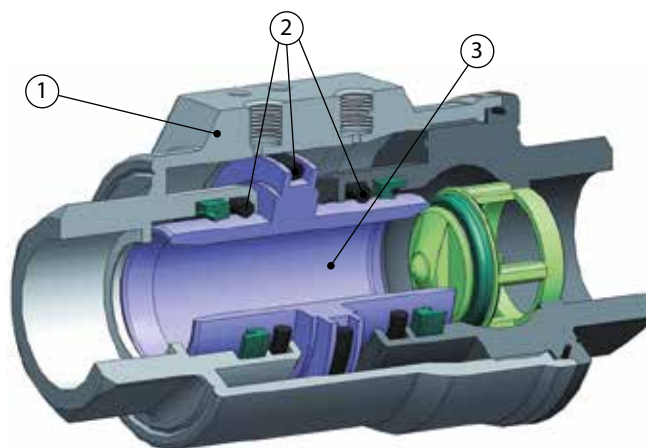
CARATTERISTICHE TECNICHE

TECHNICAL CHARACTERISTICS
TECHNISCHE ANGABEN
CARACTÉRISTIQUES TECHNIQUES
CARACTERÍSTICAS TÉCNICAS
CARACTERÍSTICAS TÉCNICAS



Norma di Riferimento

Reference standard
Entspricht der Norm
Norme de référence
Normativa de referencia
Norma de referência



Materiali e Componenti	IT	Component Parts and Materials	GB	Komponenten und Materialien	DE
1 Corpo in Ottone nichelato		1 Nickel-plated Brass Body		1 Körper Messing vernickelt	
2 Guarnizioni in FKM (EPDM o NBR su richiesta)		2 FKM Seals (EPDM or NBR upon request)		2 Dichtung aus FKM (EPDM oder NBR auf anfrage)	
3 Pistone in Ottone nichelato		3 Nickel-plated Brass Piston		3 Kolben Messing vernickelt	

Matériaux et Composants	FR	Materiales y Componentes	ES	Materiais e Componentes	PT
1 Corps: laiton nickelé		1 Cuerpo en latón niquelado		1 Corpo em Latão Niquelado	
2 Joint en FKM (EPDM ou NBR sur demande)		2 Junta en FKM (EPDM o NBR bajo demanda)		2 Vedação em FKM (EPDM ou NBR sob encomenda)	
3 Piston: laiton nickelé		3 Pistón en latón niquelado		3 Êmbolo em Latão Niquelado	



Pressione

Maximum
Druckbereich
Pressions
Presiones
Pressões
-0.99 bar (-0,099 MPa)
10 bar (1 MPa)



Pressione di comando

Operating pressure
Betriebsdruck
Pression de service
Presión de ejercicio
Pressão de operação
*** 4.2 bar** (0.42 MPa) **Min**
8 bar (0.8 MPa) **Max**
* 3 bar a doppio effetto
3 bar with double acting
3 bar mit Doppeltwirkend
3 bar avec double effet
3 bar sin doble efecto
3 bar com Dupla Ação



Temperature di comando

Operating Temperatures
Betriebstemperaturen
Températures de service
Temperaturas de ejercicio
Temperaturas de operação
0 °C
+ 80 °C
(-20 °C con aria secca)
(-20 °C with dry air)
(-20 °C mit trockener Luft)
(-20 °C avec air sec)
(-20 °C con aire seco)
(-20 °C com ar seco)



Temperature fluido intercettato

Fluid temperature intercepted
Flüssigkeitstemperatur abgefangen
Température du fluide interceptée
Temperatura del fluido interceptado
Temperatura do fluido interceptado
FKM
- 20 °C
+ 150 °C
EPDM
- 20 °C
+ 150 °C
NBR
- 20 °C
+ 80 °C



Fluidi compatibili

Fluids
Geeignete Medien
Fluides compatibles
Fluidos compatibles
Fluidos compatíveis
FKM
Fluidi in genere, no vapore
Fluids in general, no steam
Medien im Allgemeinen, nein dampf
Fluides courants, no vapore
Fluidos en general, no vapor
Fluidos em geral, não vapor
***EPDM**
Acqua calda, vapore
Hot water, steam
Heißes Wasser, dampf
Eau chaude, vapeur
Agua caliente, vapor
Água quente, vapor

***NBR**
Aria, gas, olii, acqua, ecc.
Air, gas, oils, water, ecc.
Luft, gas, öl, wasser, ecc.
Air, gaz, huile, eau, ecc.
Aire, gas, aceite, agua, ecc.
Ar, óleo, gás, água, ecc.

*A richiesta. - Available upon request. - Auf Anfrage. - Sur demande. - Bajo demanda. - Sob encomenda.



Filettatura	IT	Threads	GB	Gewindearten	DE
Gas conforme ISO 7.1, BS 21, DIN 2999.		Gas in conformity with ISO7.1, BS 21, DIN 2999.		Gewinde nach Norm ISO 7.1, BS 21, DIN 2999.	

Filetages	FR	Roscas	ES	Roscas	PT
Filetage conforme: ISO7.1, BS 21, DIN 2999.		Gas conforme ISO 7.1, BS 21, DIN 2999.		Gas conforme ISO 7.1, BS 21, DIN 2999.	



Perdita di carico e coefficiente nominale

Pressure drop and nominal coefficient

Druckabfall und nominale Koeffizient

Chute de pression et de coefficient nominal

Caída de presión y coeficiente nominal

Queda de pressão e coeficiente nominal

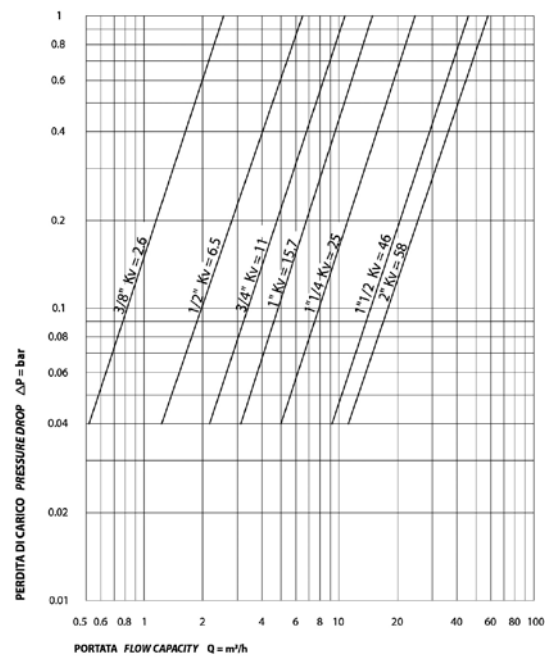


Diagramma Pressione/temperatura

Pressure/temperature chart

Druck/Temperatur Diagramm

Diagramme pression/température

Tabla de presión/temperatura

Tabela de pressão/temperatura

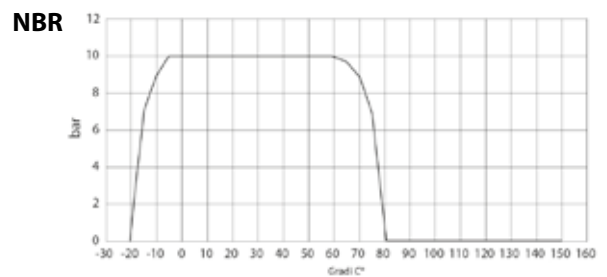
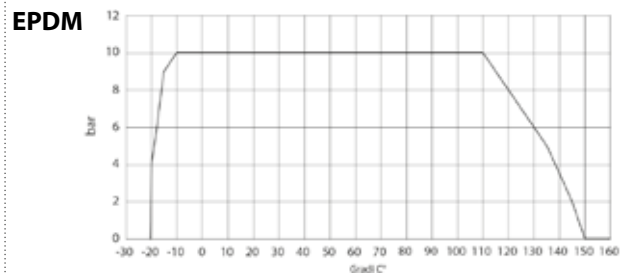
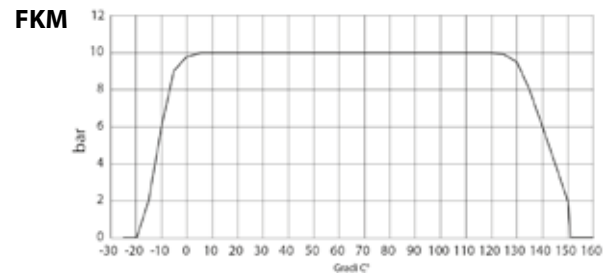


Tabella dei codici di ordinazione

Ordering codes

Bestellschlüssel

Code de commande

Tabla de codificación para pedidos

Tabela de codificação para compra

SERIE	GUARNIZIONE	SIZE MM
-------	-------------	------------

0 6 0 5 4 **V** **0 0** **0 4**

06054	Singolo effetto NC Single acting NC Einfachwirkend NC Simple effet NC Simple efecto NC Simple ação NC	V FKM	04 3/8 05 1/2 06 3/4 07 1" 08 1" 1/4 09 1" 1/2 10 2"
--------------	--	--------------	---

A RICHIESTA - UPON REQUEST - AUF ANFRAGE - SUR DEMANDE - BAJO DEMANDA - SOB ENCOMENDA

06055	Singolo effetto NO Single acting NO Einfachwirkend NO Simple effet NO Simple efecto NO Simple ação NO	E EPDM O NBR
--------------	--	-------------------------------

06056	Doppio effetto Double acting Doppeltwirkend Double effet Double efecto Dupla ação
--------------	--



Schemi di funzionamento

Working plan

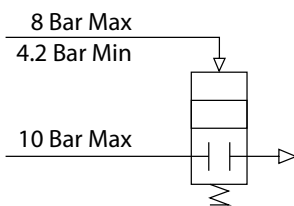
Arbeitsplan

Plan de travail

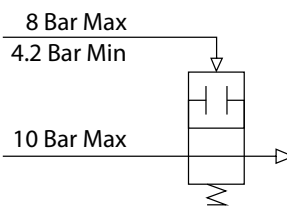
Plan de trabajo

Plano de trabalho

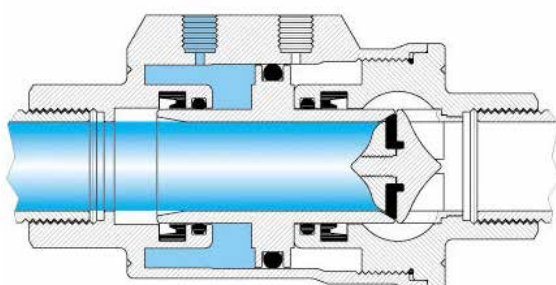
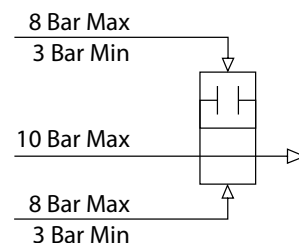
6054 - NC



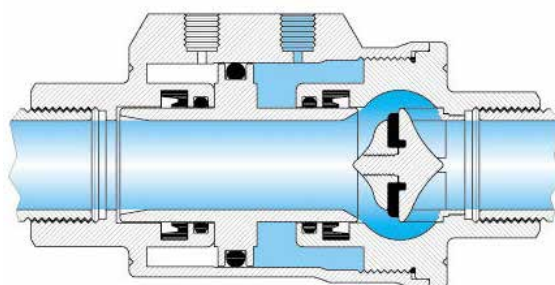
6055 - NO



6056 - Double Acting



CLOSED



OPEN

6054V

VALVOLA COASSIALE DI INTERCETTAZIONE - NC - FKM

COAXIAL VALVE - NC - FKM

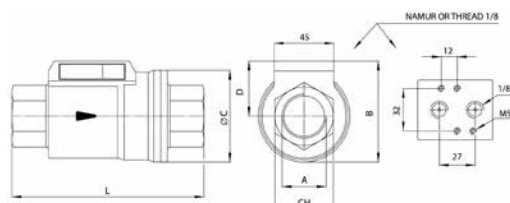
PNEUMATISCHES AXIALVENTIL - NC - FKM

VANNE D'ARRÊT - NC - FKM

VÁLVULA DE CIERRE - NC - FKM

VÁLVULA DE INTERCEPTAÇÃO - NC - FKM

Code	A	DN	B	L	ØC	D	CH	Pack.
06054 V0 004	3/8	10	54	98	46	31	22	2
06054 V0 005	1/2	15	60	112	51,7	34	27	2
06054 V0 006	3/4	20	70	135	63,5	39	33	1
06054 V0 007	1"	25	76	143	69	42	41	1
06054 V0 008	1" 1/4	32	92	165	86	49	50	1
06054 V0 009	1" 1/2	40	102	180	89	54	60	1
06054 V0 010	2"	50	115	207	109	60	75	1



COMANDI UTILIZZABILI - COMMANDS AVAILABLE - VERFÜGBARE BEFEHLE - COMMANDES UTILISABLES - COMANDOS UTILIZABLES - COMANDOS DISPONÍVEIS

Valvola Elettropneumatica Namur

Namur Solenoid Pilot Valve

Namur Elektropneumatische Ventile

Distributeurs Électropneumatiques Namur

Válvulas de Accionamiento Electroneumático Namur

Válvulas de Acionamento Eletropneumático Namur

Valvola pneumatica Namur

Namur Pnumatic Valve

Namur Pneumatische Ventile

Distributeurs Pneumatiques Namur

Válvulas de Accionamiento Neumático Namur

Válvulas de Acionamento Pneumático Namur

Valvola pneumatica

Pnumatic Valve

Pneumatische Ventile

Distributeurs Pneumatiques

Válvulas de Accionamiento Neumático

Válvulas de Acionamento Pneumático



Vedi catalogo a pag. 18.99-18.101

See catalogue at page 18.99-18.101

Siehe Katalog Seite 18.99-18.101

Voir le catalogue à la pag. 18.99-18.101

Ver catálogo en la pág. 18.99-18.101

Ver o catálogo na pág. 18.99-18.101



Vedi catalogo a pag. 18.102-18.106

See catalogue at page 18.102-18.106

Siehe Katalog Seite 18.102-18.106

Voir le catalogue à la pag. 18.102-18.106

Ver catálogo en la pág. 18.102-18.106

Ver o catálogo na pág. 18.102-18.106



Vedi catalogo a pag. 18.68-18.70

See catalogue at page 18.68-18.70

Siehe Katalog Seite 18.68-18.70

Voir le catalogue à la pag. 18.68-18.70

Ver catálogo en la pág. 18.68-18.70

Ver o catálogo na pág. 18.68-18.70

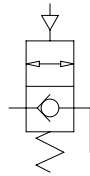
VALVOLE DI BLOCCO

BLOCK VALVE
STOPPVENTIL
STOP-VÉRIN
VÁLVULAS DE BLOQUEO
VÁLVULAS DE BLOQUEIO

- U**
- UNIDIREZIONALE
 - UNI-DIRECTIONAL
 - RÜCKSCHLAG
 - UNI-DIRECTIONNEL
 - UNIDIRECCIONAL
 - UNIDIRECCIONAL



CODE:
8880



IT

Le valvole di blocco AIGNEP sono dispositivi a pilotaggio pneumatico per il controllo del movimento di un cilindro.

Montate direttamente sugli attacchi di ingresso ed uscita del cilindro consentono di bloccare la corsa del pistone in caso di caduta di pressione del pilotaggio.

Sono utilizzate come sistema di sicurezza: in caso di arresto di emergenza, rottura di un tubo o mancanza d'aria bloccano i dispositivi movimentati dai cilindri evitando danneggiamenti delle parti o rischi di lesioni per gli operatori.

E' possibile utilizzarle anche per arrestare lo stelo in posizioni intermedie quando le applicazioni richiedono questa soluzione.

Versioni: sono disponibili nella versione unidirezionale e bidirezionale.

Portata: le valvole sono a passaggio totale poiché non vi sono riduzioni di sezione ed il flusso non attraversa la molla.

Compattezza e versatilità: gli ingombri sono molto ridotti ed è possibile orientare sia la connessione filettata che il supporto dell'attacco del tubo per il pilotaggio.

Attacco filettato: è possibile connettere un regolatore di flusso all'ingresso della valvola per la regolazione della velocità del cilindro.

GB

The AIGNEP's block valves are pneumatic driving devices used to control the movement of the cylinder.

Assembled directly on the inlet and outlet ports of the cylinder allow to lock the piston stroke in case of pressure drop of the driving.

They are used as safety devices in case of emergency stop, brake of a tube or air missing, they lock the apparatus moved by the cylinder avoiding damages to the devices or injury risks for the runners.

It is also possible to use them to stop the piston into intermediate positions whenever the application requires such solutions.

Versions: They are available in uni-direction and bi-directional versions

Flow rate: These valves are full bore, there do not have reduction of section and the flow does not pass through the spring.

Compactness and Versatility: The overall dimensions are extremely reduced and it is possible to orient both the threaded connection as well as the hose connection for the driving.

Threaded connection: It is possible to connect the flow regulator at the inlet of the valve in order to adjust the speed of the cylinder.

DE **FR**

Die AIGNEP Stoppverschraubungen sind pneumatisch gesteuerte Ventile, mit denen die Bewegung des Zylinders gesteuert werden kann.

Direkt montiert an den Anschlüssen (Ein- und Ausgang) des Zylinders ermöglichen sie bei Druckabfall des Steueranschlusses die Zylinderbewegung zu stoppen und blockieren.

Sie werden als ein Sicherheitssystem eingesetzt: im Falle eines Not-Stopp, eines Schlauchbruches oder eines Druckluftabfalles wird die Bewegung des Zylinders gestoppt, um Beschädigungen an Teilen oder Verletzungen an den Arbeitern zu vermeiden.

Sie können auch dazu verwendet werden, um die Zylinderkolbenstange zu positionieren, wenn die Anwendung eine solche Lösung erfordert.

Versionen: Es gibt sie in unidirektionaler- und bidirektionaler Ausführung.

Durchfluss: Diese Ventile sind mit vollem Durchgang, da der Querschnitt sich nicht verringert und der Strömungsweg nicht durch die Feder fließt.

Kompaktheit und Vielseitigkeit: Die Abmessungen sind relativ klein und der Gewindeanschluss sowie auch der Signalanschluss sind schwenkbar.

Gewindeanschluss: Es ist möglich, ein Durchflussregler am Eingang des Ventils zu montieren, um die Geschwindigkeit des Zylinders einzustellen.

Les raccords stop-vérin d'AIGNEP sont des dispositifs pneumatiques utilisés pour contrôler le mouvement des vérins.

Montés directement sur le vérin, ils permettent de verrouiller la course du piston en cas de chute de pression. Ils sont utilisés comme un système d'arrêt d'urgence lors d'une rupture de tuyau ou d'une baisse de pression de pilotage en bloquant le mouvement du vérin afin d'éviter d'endommager les pièces ou de blesser des personnes.

Il est également possible de les utiliser pour arrêter le piston dans des positions intermédiaires lorsque l'application le demande.

Disponibles en version uni ou bi-directionnel

Débit: Ces raccords sont à passage intégral, ils ne disposent pas de réduction de la section et le flux ne passe pas à travers le ressort.

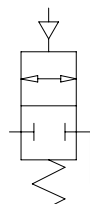
Compacité et polyvalence: Les dimensions sont relativement compactes et le raccord fileté ainsi que le raccordement du signal de pilotage sont orientables.

Connexion filetée: Il est possible d'assembler un régulateur de débit afin de réguler la vitesse du piston.

- B**
- BI-DIREZIONALE
 - BI-DIRECTIONAL
 - BI-DIREKTIONAL
 - BI-DIRECTIONNEL
 - BIDIRECCIONAL
 - BI-DIRECCIONAL



CODE:
8890



ES

Las válvulas de bloqueo AIGNEP son dispositivos a pilotaje neumático para el control del movimiento de un cilindro.

Montadas directamente en la entrada y salida del cilindro permiten bloquear la carrera del cilindro en caso de caída de presión en el pilotaje.

Son utilizadas como sistemas de seguridad: en caso de paro de emergencia, rotura de un tubo o falta de aire bloquean los dispositivos en movimiento por el cilindro evitando daños de los mismos o riesgos de los operarios.

Es posible su utilización para parar un cilindro en cualquier posición intermedia si se precisa.

Versiones: Disponibles en versión unidireccional y bidireccional.

Caudal: Las válvulas tienen un paso total, debido a que no existen reducciones de sección y el flujo no pasa por el muelle.

Compactas y versátiles: El tamaño es muy reducido y es posible orientar la conexión roscada y el pilotaje.

Rosca: Es posible conectar un regulador de caudal a la válvula de bloqueo para controlar la velocidad del cilindro.

PT

As valvulas de bloqueio AIGNEP são dispositivos pilotados pneumaticamente usados no controle do movimento de um cilindro.

Montadas diretamente nas conexões de entrada e de saída do cilindro permitem travar o curso deste em caso de queda de pressão na pilotagem da válvula.

São utilizadas geralmente como sistemas de segurança: no caso de parada de emergência, ruptura de um tubo ou falta de ar, elas travam os dispositivos movimentados pelos cilindros evitando danificar o equipamentos ou lesionar o operadores.

É possível utilizá-las também executar paradas intermediárias do cilindro quando as aplicações solicitam este tipo de solução.

Versões: são disponíveis na versão unidireccional e bi-direccional.

Vazão: as válvulas são de passagem plena. Não existem reduções de secção e o fluxo de ar não atravessa a mola.

Tamanho e versatilidade: O dimensional geral da válvula são muito reduzidas e é possível orientar as direções das conexões roscadas bem como da conexão de pilotagem.

Conexão roscada: é possível conectar uma reguladora de vazão na entrada da válvula para a regulagem da velocidade do cilindro.



Misura

- Size
- Grösse
- Dimensions
- Medida
- Tamanho

1/8 - 1/4 - 3/8 - 1/2



Portata nominale (6 bar)

- Flow rate (6 bar)
- Nenndurchfluss (6 bar)
- Débit (6 bar)
- Caudal nominal (6 bar)
- Vazão nominal (6 bar)

1/8	1/4	3/8	1/2
750 NI/min	1420 NI/min	2100 NI/min	2500 NI/min



Pressione d'esercizio

- Working pressure
- Betriebsdruck
- Pression de service
- Presión de ejercicio
- Pressão de trabalho

0.3 bar (0.03 MPa)

10 bar (1 MPa)



Temperatura d'esercizio

- Working temperature
- Betriebstemperatur
- Température de service
- Temperatura de ejercicio
- Temperatura de trabalho

- 20 °C

+ 80 °C



Fluidi

Aria filtrata lubrificata o non lubrificata

Fluids

Filtered and lubricated compressed air as well as non lubricated air

Medien

Druckluft gefiltert, geölt oder ungeölt.

Fluides

Air comprimé, filtré, lubrifié ou non lubrifié.

Fluidos

Aire filtrado lubricado o no lubricado

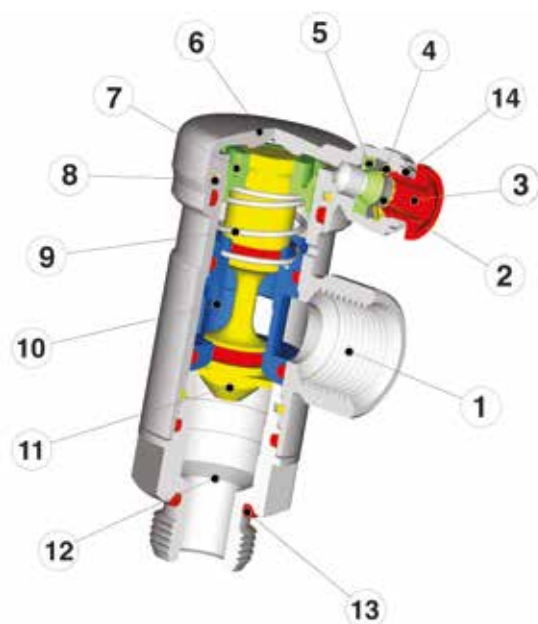
Fluidos

Ar filtrado e lubricado ou não lubricado



Norma di Riferimento

- Reference standard
- Entspricht der Norm
- Norme de référence
- Normativa de referencia
- Norma de referência



Materiali e Componenti

IT

Component Parts and Materials

GB

- 1 Corpo in Ottone Nichelato
- 2 Anello di sicurezza in tecnopolimero
- 3 Spintore sgancio tubo in Resina Acetalica
- 4 Pinza d'aggraffaggio in acciaio INOX AISI 301
- 5 Guarnizione a labbro in NBR
- 6 Coperchio orientabile in Ottone Nichelato
- 7 Guarnizione a labbro in Poliuretano
- 8 Seeger in Bronzo
- 9 Molla in acciaio INOX AISI 302
- 10 Supporto otturatore in Ottone
- 11 Otturatore in Ottone
- 12 Basetta orientabile in Ottone Nichelato
- 13 Guarnizioni in NBR
- 14 Capsula in ottone nichelato

- 1 Nickel plated brass Body
- 2 Technopolymeric Safety ring
- 3 Acetalic Resin Collect
- 4 Steel Clamping Washer INOX AISI 301
- 5 NBR Lip seal
- 6 Nickel plated brass Orienting Cover Cap
- 7 Polyuretane Lip seal
- 8 Bronze Seeger
- 9 Steel Spring
- 10 Brass Shutter Support
- 11 Brass Shutter
- 12 Nickel plated brass Orienting Base
- 13 NBR O-RING
- 14 Nickel plated brass Capsule

Komponenten und Materialien

DE

Matériaux et Composants

FR

- 1 Körper Messing vernickelt
- 2 Sicherungsring Technopolymer
- 3 Rohr Lösering Acetal
- 4 Zahnscheibe Edelstahl AISI 301
- 5 Lippendichtung NBR
- 6 Abdeckung drehbar Messing vernickelt
- 7 Lippendichtung Polyurethan
- 8 Seegering Bronze
- 9 Feder Edelstahl AISI 302
- 10 Verschlussunterstützung Messing
- 11 Verschluss Messing
- 12 Einschraubkörper drehbar Messing vernickelt
- 13 Dichtung NBR
- 14 Haltering Messing vernickelt

- 1 Corps: laiton nickelé
- 2 Anneau de sécurité: Technopolymère
- 3 Pousoir: Résine acétal
- 4 Rondelle d'accrochage: AISI 301
- 5 Joint à lèvres: NBR
- 6 Couvercle: laiton nickelé
- 7 Joint à lèvres: polyuréthane
- 8 Clips: bronze
- 9 Ressort: acier inoxydable
- 10 Support du clapet: laiton
- 11 Clapet: laiton
- 12 Embase orientable: laiton nickelé
- 13 Joint torique: NBR
- 14 Capsule de retenue: Laiton nickelé

Materiales y Componentes

ES

Materialis e Componentes

PT

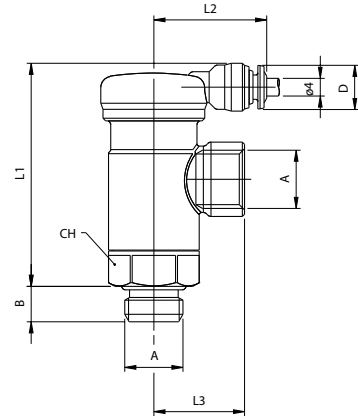
- 1 Cuerpo en latón niquelado
- 2 Anillo de seguridad en tecnopolimero
- 3 Anillo extracción tubo en resina acetálica
- 4 Pinza de agarre en acero INOX AISI 301
- 5 Junta de labio en NBR
- 6 Cuerpo orientable en latón niquelado
- 7 Junta de labio en poliuretano
- 8 Seeger en bronce
- 9 Muelle en acero INOX AISI 302
- 10 Soporte obturador en latón
- 11 Obturador en latón
- 12 Base orientable en latón niquelado
- 13 Junta en NBR
- 14 Cápsula en latón niquelado

- 1 Corpo em Latão Niquelado
- 2 Anel de segurança em tecnopolimero
- 3 Anilha em Resina Acetálica
- 4 Pinça de travamento em aço INOX AISI 301
- 5 Vedação em NBR
- 6 Cobertura orientável em Latão Niquelado
- 7 Vedação em Poliuretano
- 8 Anel de Retenção tipo Seeger em Bronze
- 9 Mola em aço INOX AISI 302
- 10 Suporte obturador em Latão
- 11 Obturador em Latão
- 12 Base orientável em Latão Niquelado
- 13 Vedação O-Ring em NBR
- 14 Cápsula em Latão Niquelado

8880

VALVOLA DI BLOCCO UNIDIREZIONALE

UNIDIRECTIONAL BLOCK VALVE
 STOPPVENTIL MIT RÜCKSCHLAG
 RACCORD STOP-VÉRIN, UNI-DIRECTIONNEL
 VÁLVULA DE BLOQUEO UNIDIRECCIONAL
 VÁLVULA DE BLOQUEIO UNIDIRECCIONAL



Code	A	B	L1	L2	L3	CH	D	Pack.
08880 00 002	1/8	6	50	25	18.5	18	11	5
08880 00 003	1/4	8	50.5	25	20.5	18	11	5
08880 00 004	3/8	9	62.5	25.5	25	27	11	5
08880 00 005	1/2	10	62.5	25.5	29.5	27	11	5



Installazione

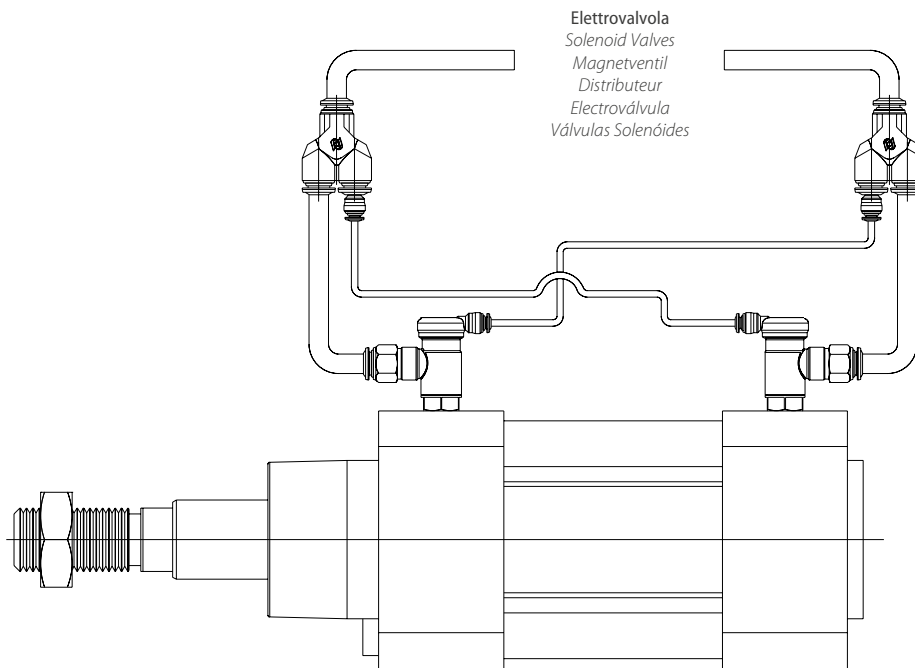
Installation

Installation

Installation

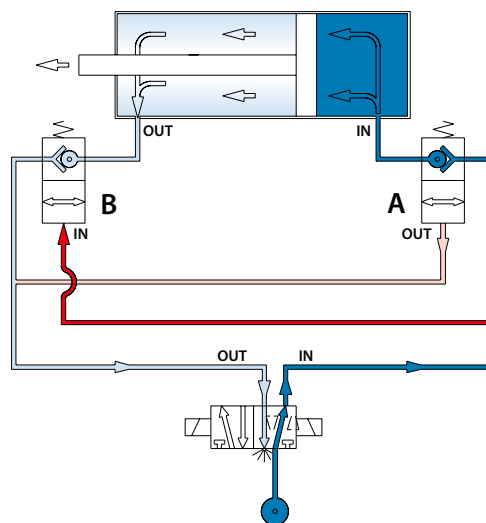
Instalación

Instalação



Circuito Pneumatico - Pneumatic Circuit - Pneumatische Schaltung - Circuit pneumatique - Circuito Neumático - Circuito Pneumático

<p>Pilota Pilot Steuerung Pilote Pilotaje Piloto</p>	<p>Alimentazione Feeding Versorgung Alimentation Alimentación Alimentação</p>
---	--



Cilindro in Movimento **IT**
Alimentando la valvola di blocco A ed il pilota B si consente il moto del pistone in una direzione.
Alimentando la valvola di blocco B ed il pilota A si consente il moto del pistone nella direzione opposta.

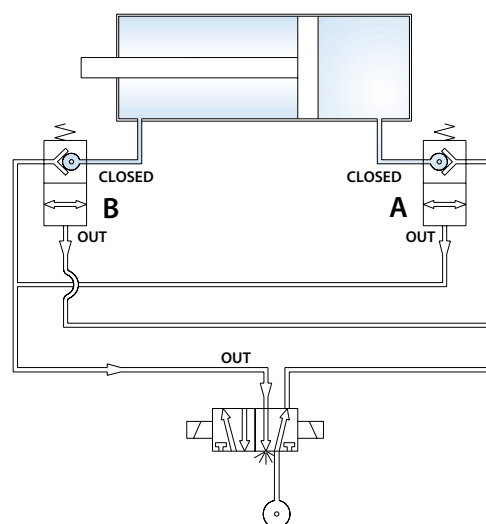
Cylinder in Action **GB**
Feeding the block valve A and the pilot B you allow the movement of the piston in one direction.
Feeding the block valve B and the pilot A you allow the movement of the piston in the opposite direction.

Zylinder in Bewegung **DE**
Durch die Versorgung des Stoppventiles A und die Steuerung B kann der Kolben in eine Richtung bewegt werden.
Durch die Versorgung des Stoppventiles B und die Steuerung A kann der Kolben in die entgegengesetzte Richtung bewegt werden.

Vérin en mouvement **FR**
En alimentant la vanne A et le pilote B, on autorise le déplacement du piston dans une direction.
Afin de déplacer le piston en sens inverse, il faut alimenter la vanne B et le pilote A.

Cilindro en Movimiento **ES**
Alimentando la válvula de bloqueo A y el pilotaje B se consiente el movimiento del pistón en una dirección.
Alimentando la válvula de bloqueo B y el pilotaje A se consiente el movimiento en la dirección opuesta.

Cilindro em Movimento **PT**
Alimentando-se a válvula de bloqueio A e o piloto B se permite o movimento do pistão em uma direção
Alimentando-se a válvula de bloqueio B e o piloto A se permite o movimento do pistão na direção oposta.



Cilindro Bloccato **IT**
Togliendo l'alimentazione all'intero circuito (per es. in caso di emergenza) le valvole di blocco arrestano il cilindro nella posizione in cui si trova, anche in caso che allo stelo siano applicati dei carichi.

Stopped Cylinder **GB**
Taking away the feeding within the circuit (for example in case of emergency) the block valves lock the cylinder into the position where it is at that moment, even if at the piston are attached some loads.

Zylinder Blockiert **DE**
Trennen Sie die Versorgung der gesamten Steuerung (z.B. bei einem Notfall), so wird durch die Stoppventile an den Zylindern eine Last (Gewicht), die auf den Kolben drückt, blockiert und in der Position gehalten.

Vérin bloqué **FR**
En coupant l'alimentation du circuit (par ex. en cas d'urgence), le bloc vérin bloque la tige dans la position où elle se trouve, même si des charges sont appliquées à la tige.

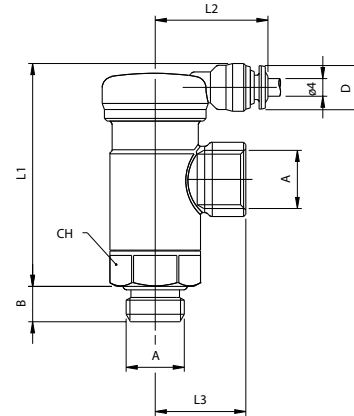
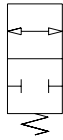
Cilindro Bloqueado **ES**
Cortando la alimentación a la totalidad del circuito (por ej. en caso de emergencia) las válvulas bloquean el cilindro en la posición en la que se encuentra, incluso en el caso en que el cilindro este sometido a alguna carga.

Cilindro Parado - Bloqueado **PT**
Cortando a alimentação do circuito (ex.: em caso de emergência) as válvulas de bloqueio travam o cilindro na posição em que ele se encontra, mesmo que existam cargas externas conectadas ao cilindro.

8890

VALVOLA DI BLOCCO BIDIREZIONALE

BIDIRECTIONAL BLOCK VALVE
 STOPPVENTIL OHNE RÜCKSCHLAG
 STOP-VÉRIN, BI-DIRECTIONNEL
 VÁLVULA DE BLOQUEO BIDIRECCIONAL
 VÁLVULA DE BLOQUEIO BI-DIRECIONAL



Code	A	B	L1	L2	L3	CH	D	Pack.
08890 00 002	1/8	6	50	25	18.5	18	11	5
08890 00 003	1/4	8	50.5	25	20.5	18	11	5
08890 00 004	3/8	9	62.5	25.5	25	27	11	5
08890 00 005	1/2	10	62.5	25.5	29.5	27	11	5



Installazione

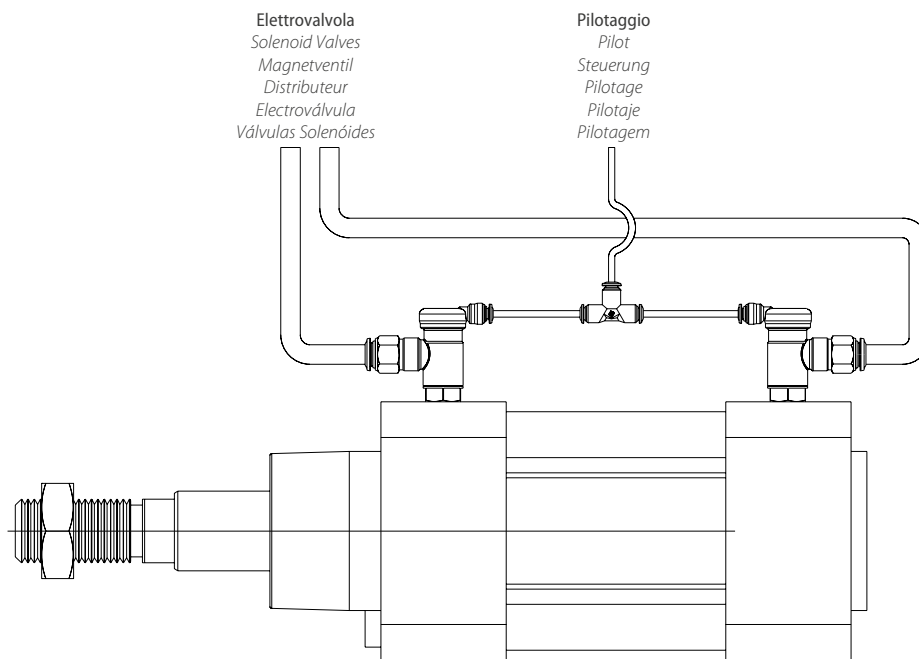
Installation

Installation

Installation

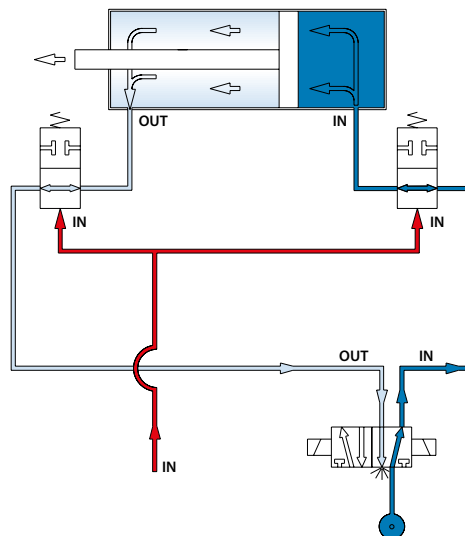
Instalación

Instalação



Circuito Pneumatico - Pneumatic Circuit - Pneumatische Schaltung - Circuit pneumatique - Circuito Neumático - Circuito Pneumático

<p>Pilota Pilot Steuerung Pilote Pilotaje Piloto</p>	<p>Alimentazione Feeding Versorgung Alimentation Alimentación Alimentação</p>
---	--



Cilindro in Movimento **IT**
 Il circuito di pilotaggio ed il circuito di alimentazione del cilindro sono indipendenti.
 Alimentando il circuito di pilotaggio le valvole di blocco permettono il movimento alternato del cilindro.

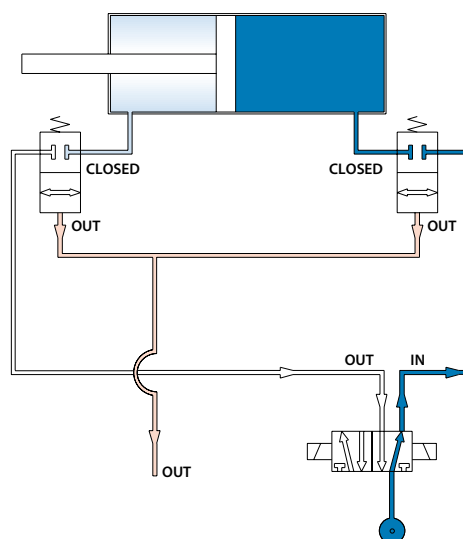
Cylinder in Action **GB**
 The driving circuit and the feeding circuit of the cylinder are independent.
 Feeding the driving circuit the block valves allow the alternate movement of the cylinder.

Zylinder in Bewegung **DE**
 Die Steuerschaltung und die Versorgungsschaltung des Zylinders (Stoppventile) sind unabhängig voneinander.
 Durch die Versorgung der Steuerschaltung der Stoppventile wird die Hubbewegung des Zylinders ermöglicht.

Vérin en Mouvement **FR**
 Le circuit de pilotage et le circuit d'alimentation du vérin (raccords stop-vérin) sont indépendants.
 Grâce à l'alimentation séparée du circuit de pilotage des stop-vérin, il est possible d'alterner le mouvement de la tige.

Cilindro en Movimiento **ES**
 El circuito de pilotaje y el circuito de alimentación del cilindro son independientes.
 Alimentando el circuito de pilotaje las válvulas de bloqueo permiten el movimiento alternado del cilindro.

Cilindro em Movimento **PT**
 O circuito de pilotagem e o circuito de alimentação do cilindro são independentes.
 Alimentando-se o circuito de pilotagem as válvulas de bloqueio permitem o movimento alternado do cilindro.



Cilindro Bloccato **IT**
 Togliendo l'alimentazione al circuito di pilotaggio le valvole di blocco arrestano il cilindro nella posizione in cui si trova, anche in caso che allo stelo siano applicati dei carichi.

Stopped Cylinder **GB**
 Taking away the feeding to the driving circuit the block valves lock the cylinder into the position where it is at that moment, even if at the piston are attached some loads.

Zylinder Blockiert **DE**
 Trennen Sie die Versorgung der Steuerschaltung der Stoppventile an den Zylindern, so wird eine Last (Gewicht), die auf den Kolben drückt, blockiert und in der Position gehalten.

Vérin bloqué **FR**
 En coupant le pilotage, le bloc vérin bloque la tige dans la position où elle se trouve, même sous l'effort d'une charge entraînant.

Cilindro Bloqueado **ES**
 Cortando la alimentación del circuito de pilotaje las válvulas bloquean el cilindro en la posición en la que se encuentra, incluso en el caso en que el cilindro este sometido a alguna carga.

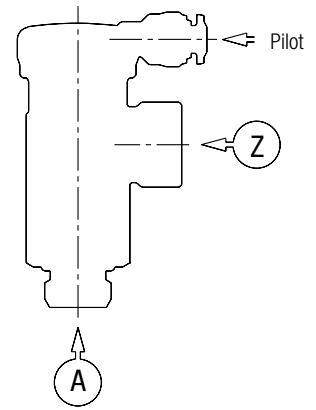
Cilindro Parado - Bloqueado **PT**
 Cortando a alimentação do circuito de pilotagem as válvulas de bloqueio travam o cilindro na posição em que este se encontra, mesmo que existam cargas externas conectadas ao cilindro.



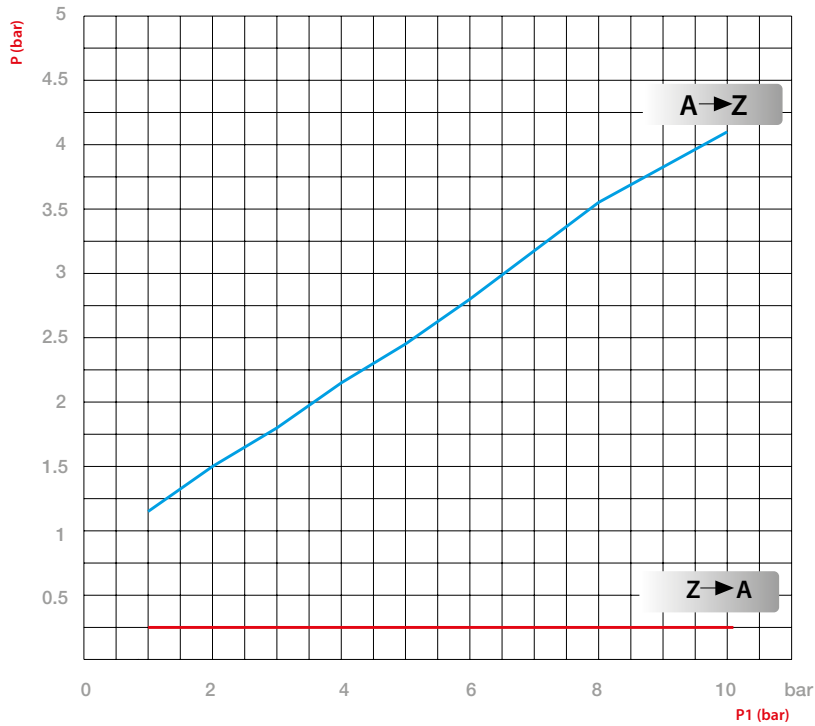
Pressione di Pilotaggio	IT	Pilot Pressure	GB
Pressione minima del Pilota per azionare la valvola, in relazione alla pressione a monte.		Pilot minimum pressure to feed the valve compared to the inlet pressure.	

Steuerdruck	DE	Pression de Pilotage	FR
Minimaler Steuerdruck um das Ventil zu betätigen, in Bezug auf den Vordruck.		Pression de pilotage minimale par rapport à la pression interne (d'utilisation).	

Presión de Pilotaje	ES	Pressão de Pilotagem	PT
Presión mínima de pilotaje para accionar la válvula, en relación a la presión de entrada.		Pressão mínima do Piloto para accionar a válvula, em relação à pressão de entrada.	



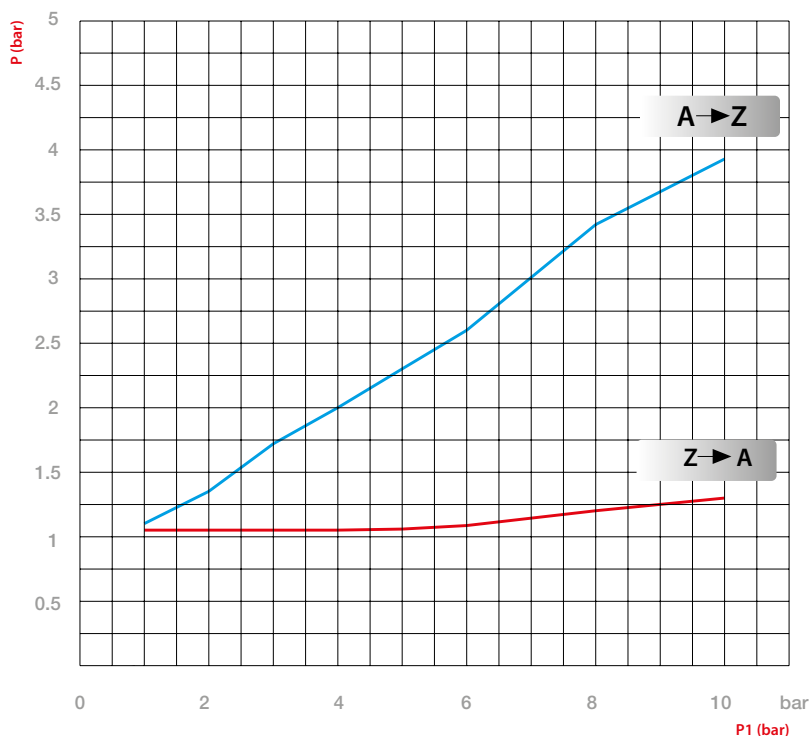
UNIDIRECTIONAL
8880
1/8 - 1/4



P (bar)
Pressione di pilotaggio
Pilot Pressure
Steuerdruck
La pression de pilotage
Presión de Pilotaje
Pressão de Pilotagem

P1 (bar)
Pressione di entrata
Inlet Pressure
Eingangsdruck
Pression d'entrée
Presión de entrada
Pressão de entrada

BIDIRECTIONAL
8890
1/8 - 1/4





Curve caratteristiche di flusso

Characteristic curves of flow

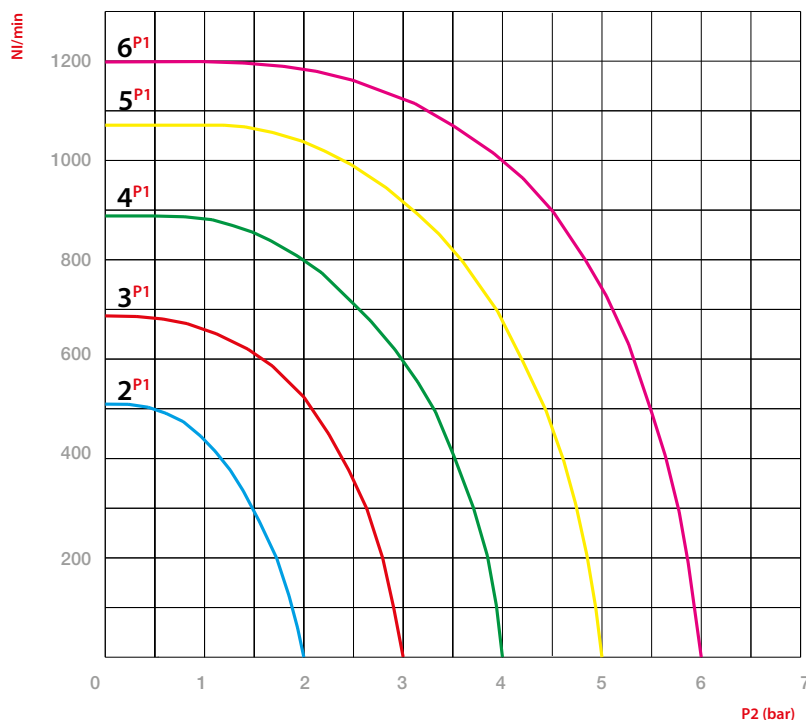
Durchflusskennlinien

Caractéristiques du débit

Curvas características de flujo

Curvas características de vazão

8880 - 8890
1/8



NI/min

Portata d'aria Q a 20 °C e 1013 mbar
Air rate Q at 0°C and 1013 mbar
Luftstrom Q bei 0 °C und 1013 mbar
Débit d'air Q à 0 °C et 1 013 mbar
Caudal de Aire Q 0°C e 1013 mbar
Vazão de ar Q 0°C e 1013 mbar

P1 (bar)

Pressione di entrata
Inlet Pressure
Eingangsdruck
Pression d'entrée
Presión de entrada
Pressão de entrada

P2 (bar)

Pressione di uscita
Outlet Pressure
Eingangsdruck
Pression de sortie
Presión de Entrada
Pressão de Entrada

8880 - 8890
1/4



Архангельск (8182)63-90-72
Астана (7172)727-132
Астрахань (8512)99-46-04
Барнаул (3852)73-04-60
Белгород (4722)40-23-64
Брянск (4832)59-03-52
Владивосток (423)249-28-31
Волгоград (844)278-03-48
Вологда (8172)26-41-59
Воронеж (473)204-51-73
Екатеринбург (343)384-55-89
Иваново (4932)77-34-06

Ижевск (3412)26-03-58
Иркутск (395)279-98-46
Казань (843)206-01-48
Калининград (4012)72-03-81
Калуга (4842)92-23-67
Кемерово (3842)65-04-62
Киров (8332)68-02-04
Краснодар (861)203-40-90
Красноярск (391)204-63-61
Курск (4712)77-13-04
Липецк (4742)52-20-81
Киргизия (996)312-96-26-47

Магнитогорск (3519)55-03-13
Москва (495)268-04-70
Мурманск (8152)59-64-93
Набережные Челны (8552)20-53-41
Нижний Новгород (831)429-08-12
Новокузнецк (3843)20-46-81
Новосибирск (383)227-86-73
Омск (3812)21-46-40
Орел (4862)44-53-42
Оренбург (3532)37-68-04
Пенза (8412)22-31-16
Казахстан (772)734-952-31

Пермь (342)205-81-47
Ростов-на-Дону (863)308-18-15
Рязань (4912)46-61-64
Самара (846)206-03-16
Санкт-Петербург (812)309-46-40
Саратов (845)249-38-78
Севастополь (8692)22-31-93
Симферополь (3652)67-13-56
Смоленск (4812)29-41-54
Сочи (862)225-72-31
Ставрополь (8652)20-65-13
Таджикистан (992)427-82-92-69

Сургут (3462)77-98-35
Тверь (4822)63-31-35
Томск (3822)98-41-53
Тула (4872)74-02-29
Тюмень (3452)66-21-18
Ульяновск (8422)24-23-59
Уфа (347)229-48-12
Хабаровск (4212)92-98-04
Челябинск (351)202-03-61
Череповец (8202)49-02-64
Ярославль (4852)69-52-93